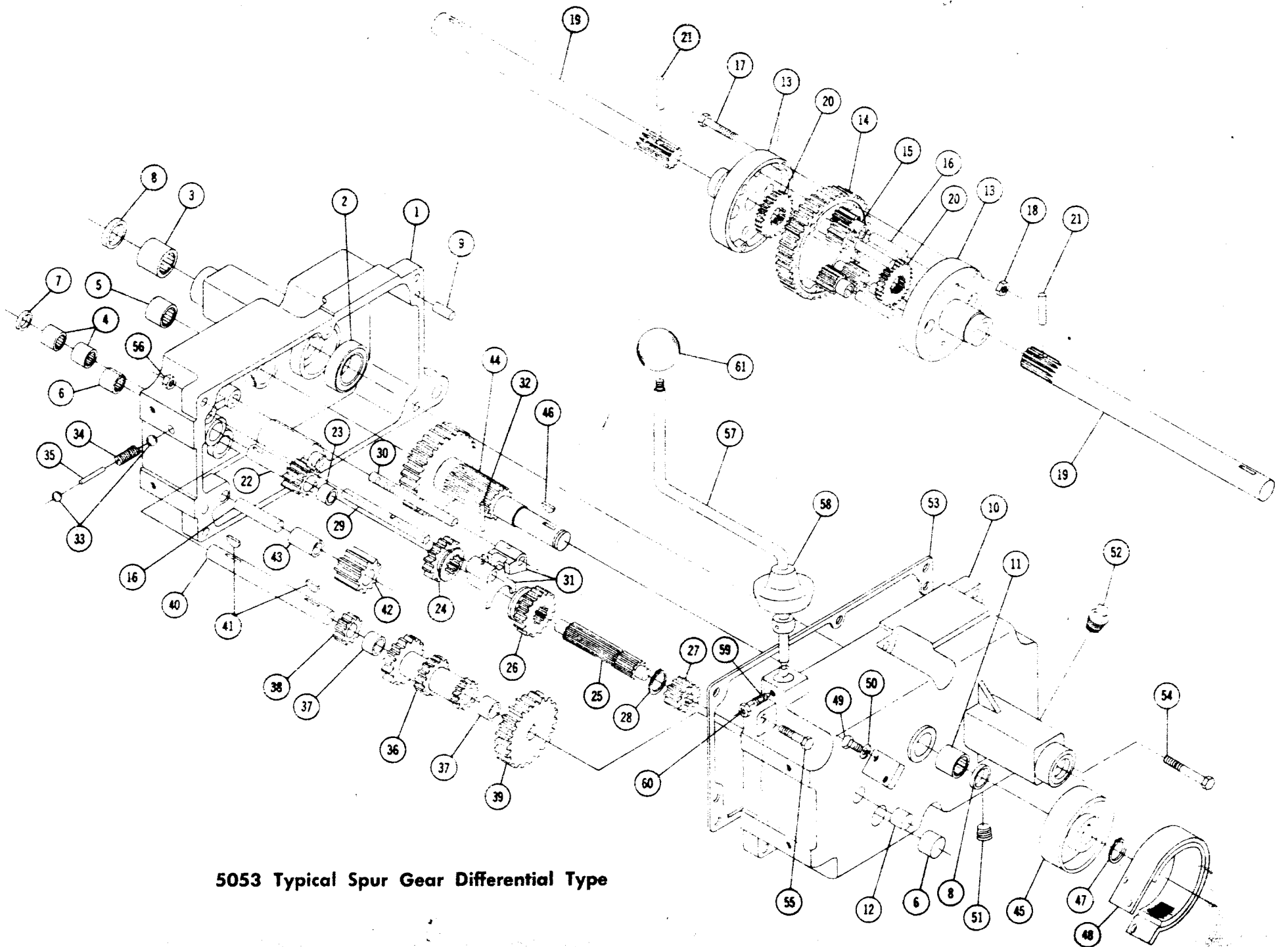


|                |       |                        |           |
|----------------|-------|------------------------|-----------|
| 81 & 91-16BS01 | C-111 | Motor model nr. 252417 | Type 0198 |
| 81 & 91-16B801 | C-161 | TWIN AUTOMATIC         |           |
| 81-16KS01      | C-161 | TWIN 8-SPEED           |           |
| 81-16K801      | C-161 | AUTOMATIC              |           |
| 81-14KS01      | C-161 | 8-SPEED                |           |
| 81 & 91-14K801 | C-141 | AUTOMATIC              |           |
| 81-12KS01      | C-141 | 8-SPEED                |           |
| 81 & 91-12K801 | C-121 | AUTOMATIC              |           |
| 81 & 91-10K801 | C-121 | 8-SPEED                |           |
| 81 & 91-08K801 | C-101 | 8-SPEED                |           |
|                | C-81  | 8-SPEED                |           |

4 view bak



5053 Typical Spur Gear Differential Type

# 5053 TRANSMISSION PARTS LIST

When ordering parts always list Part No. and name of part.

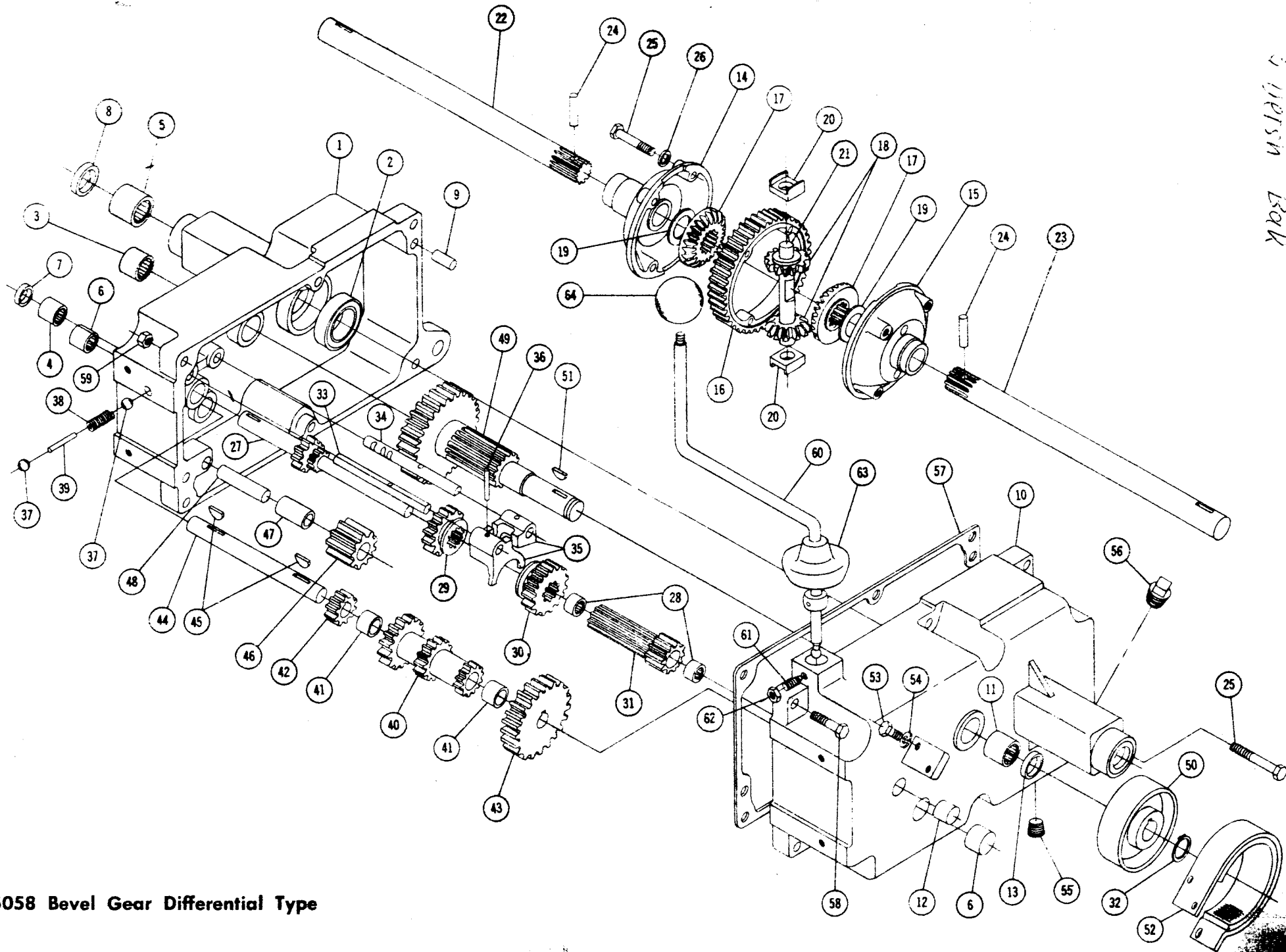
(Specifications subject to change without notice.)

| Item No. | Part No. | Description                                  | No. Req'd. | Item No. | Part No. | Description   | No. Req'd. |
|----------|----------|--|------------|----------|----------|---|------------|
| 1        | 3900     | Case R.H.                                    | 1          | 32       | 933156   | Roll Pin $\frac{1}{8}$ x 1                            | 2          |
| 2        | 1533     | Bearing -- Ball $1\frac{1}{2}$ I.D.          | 2          | 33       | 3517     | Ball -- Shift Stop                                    | 2          |
| 3        | 1528     | Bearing -- Needle                            | 2          | 34       | 3518     | Spring -- Shift Stop                                  | 1          |
| 4        | 1508     | Bearing -- Needle $\frac{3}{4}$ I.D.         | 2          | 35       | 5614     | Pin -- Shift Stop                                     | 1          |
| 5        | 1532     | Bearing -- Needle 1" I.D.                    | 1          | 36       | 225      | Gear -- Cluster                                       | 1          |
| 6        | 1529     | Bearing -- Needle $\frac{3}{4}$ I.D.         | 1          | 37       | 1504     | Bearing -- Bronze $\frac{3}{4}$ I.D.                  | 2          |
| 7        | 1303     | Seal -- Oil $\frac{3}{4}$ Shaft              | 1          | 38       | 3528     | Gear -- Reduction Pinion                              | 1          |
| 8        | 1232     | Seal -- Oil 1" Shaft <i>100863</i>           | 3          | 39       | 3527     | Gear -- Reduction                                     | 1          |
| 9        | 3915     | Pin -- Dowel                                 | 2          | 40       | 3910     | Shaft -- Cluster Gear                                 | 1          |
| 10       | 3901     | Case L.H.                                    | 1          | 41       | 937014   | Key #9 Woodruff                                       | 2          |
| 11       | 1530     | Bearing -- Needle 1" I.D.                    | 1          | 42       | 4204     | Gear -- Reverse Idler                                 | 1          |
| 12       | 1531     | Bearing -- Needle $\frac{5}{8}$ I.D.         | 1          | 43       | 1516     | Bushing -- Bronze $\frac{1}{2}$ I.D.                  | 1          |
| 13       | 3905     | Case -- Differential                         | 2          | 44       | 3903     | Gear -- Brake Shaft                                   | 1          |
| 14       | 3906     | Gear -- Differential Bull                    | 1          | 45       | 3902     | Drum -- Brake   | 1          |
| 15       | 4235     | Gear -- Differential Pinion                  | 4          | 46       | 937022   | Key #15 Woodruff                                      | 1          |
| 16       | 3909     | Shaft  | 5          | 47       | 936131   | Snap Ring 1" Shaft                                    | 1          |
| 17       | 908146   | Bolt Hex $\frac{5}{16}$ -18 x $3\frac{1}{4}$ | 4          | 48       | 7376     | Ass'y. Brake Band & Lining                            | 1          |
| 18       | 1316     | Nut Huglock $\frac{5}{16}$ -18               | 4          | 49       | 908002-4 | Bolt Hex $\frac{1}{4}$ -20 x $\frac{5}{8}$            | 2          |
| 19       | 3904     | Axle -- Rear                                 | 2          | 50       | 920081-4 | Lockwasher $\frac{1}{4}$ Dia.                         | 2          |
| 20       | 3908     | Gear -- Axle                                 | 2          | 51       | 943460   | Plug $\frac{1}{4}$ Pipe                               | 1          |
| 21       | 933217   | Roll Pin $\frac{1}{4}$ x $1\frac{1}{2}$      | 2          | 52       | 943420   | Plug $\frac{3}{8}$ Pipe                               | 1          |
| 22       | 3522     | Gear -- Input                                | 1          | 53       | 3912     | Gasket  | 1          |
| 23       | 1518     | Bearing -- Needle $\frac{5}{8}$ I.D.         | 1          | 54       | 908043-4 | Bolt Hex $\frac{3}{8}$ -16 x $3\frac{1}{2}$           | 1          |
| 24       | 3523     | Gear Hi & 2nd                                | 1          | 55       | 908038-4 | Bolt Hex $\frac{3}{8}$ -16 x 2                        | 5          |
| 25       | 3907     | Shaft Spline                                 | 1          | 56       | 915113-6 | Nut Hex $\frac{3}{8}$ -16 Nylok                       | 6          |
| 26       | 3524     | Gear -- Low & Reverse                        | 1          | *57      | 5632     | Ass'y. Shift Stick                                    | 1          |
| 27       | 3526     | Gear -- Pinion -- Splined                    | 1          | *58      | 3577     | Boot -- Shift Stick                                   | 1          |
| 28       | 936125   | Snap Ring $\frac{3}{4}$ Truarc               | 1          | *59      | 1239     | Set Screw Dog Point $\frac{1}{4}$ -20 x $\frac{3}{4}$ | 1          |
| 29       | 5615     | Rail -- Front Shift                          | 1          | *60      | 915111-6 | Nut Hex $\frac{1}{4}$ -20 Nylok                       | 1          |
| 30       | 5616     | Rail -- Rear Shift                           | 1          | *61      | 1001     | Knob  | 1          |
| 31       | 3503     | Fork -- Shift                                | 2          |          |          |   |            |

\*Not included in No. 5053 Assembly.



5058 Bevel Gear Differential Type



5058 Bevel Gear Differential Type

# 5058 TRANSMISSION PARTS LIST

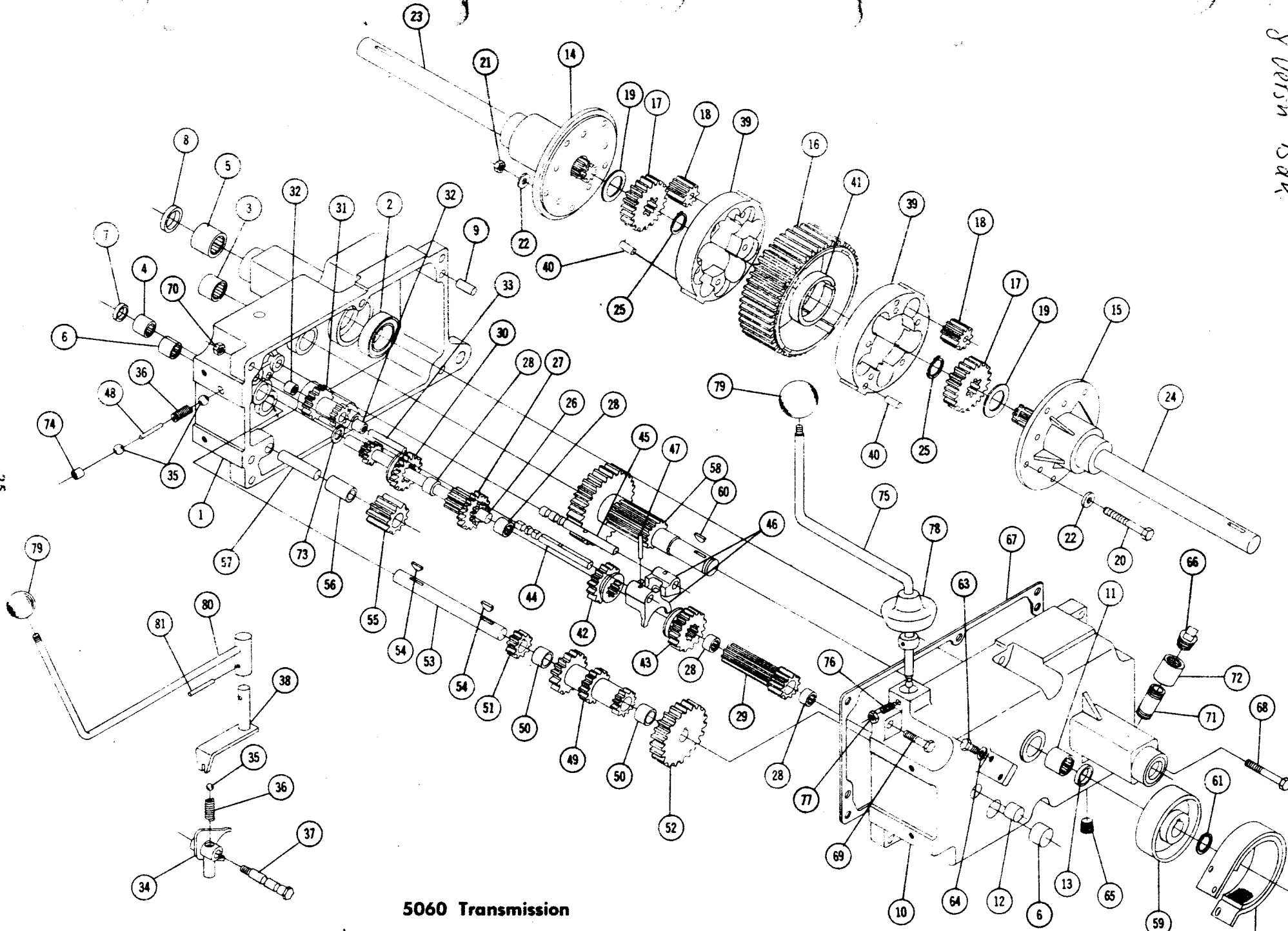
When ordering parts always list Part No. and name of part.

(Specifications subject to change without notice.)

| Item No. | Part No. | Description                        | No. Req'd. | Item No. | Part No. | Description                  | No. Req'd. |
|----------|----------|------------------------------------|------------|----------|----------|------------------------------|------------|
| 1        | 6940     | Case R.H.                          | 1          | 33       | 5615     | Rail -- Front Shift          | 1          |
| 2        | 1533     | Ball Bearing 1½ I.D.               | 2          | 34       | 5616     | Rail -- Rear Shift           | 1          |
| 3        | 1532     | Bearing -- Needle 1" I.D.          | 1          | 35       | 3503     | Fork -- Shift                | 2          |
| 4        | 1508     | Bearing -- Needle ¾" I.D.          | 1          | 36       | 933156   | Roll Pin ⅛ x 1               | 2          |
| 5        | 1526     | Bearing -- Needle 1⅛" I.D.         | 2          | 37       | 3517     | Ball -- Shift Stop           | 2          |
| 6        | 1529     | Bearing -- Needle ¾" I.D.          | 2          | 38       | 3528     | Spring -- Shift Stop         | 1          |
| 7        | 1303     | Seal -- Oil ¾ Shaft                | 1          | 39       | 5614     | Pin -- Shift Stop            | 1          |
| 8        | 1213     | Seal -- Oil 1⅛ Shaft               | 2          | 40       | 3525     | Gear -- Cluster              | 1          |
| 9        | 3915     | Pin -- Dowel                       | 2          | 41       | 1504     | Bearing -- Bronze ¾ I.D.     | 2          |
| 10       | 6941     | Case L.H.                          | 1          | 42       | 3528     | Gear -- Reduction Pinion     | 1          |
| 11       | 1530     | Bearing -- Needle 1" I.D.          | 1          | 43       | 3527     | Gear -- Reduction            | 1          |
| 12       | 1531     | Bearing -- Needle ⅝" I.D.          | 1          | 44       | 3910     | Shaft -- Cluster Gear        | 1          |
| 13       | 1232     | Seal -- Oil 1" Shaft -- Brake      | 1          | 45       | 937014   | Key #9 Woodruff              | 2          |
| 14       | 2822     | Case -- Differential R.H.          | 1          | 46       | 4204     | Gear -- Reverse Idler        | 1          |
| 15       | 6446     | Case -- Differential L.H.          | 1          | 47       | 1516     | Bushing -- Bronze ½ I.D.     | 1          |
| 16       | 2821     | Gear -- Differential -- Bull       | 1          | 48       | 3909     | Shaft                        | 1          |
| 17       | 2820     | Gear -- Axle                       | 2          | 49       | 4166     | Gear -- Brake Shaft          | 1          |
| 18       | 2819     | Gear -- Differential Pinion        | 2          | 50       | 3902     | Drum -- Brake                | 1          |
| 19       | 2828     | Washer -- Thrust                   | 2          | 51       | 937022   | Key #15 Woodruff             | 1          |
| 20       | 2826     | Block -- Differential              | 2          | 52       | 4437     | Ass'y. Brake Band & Lining   | 1          |
| 21       | 2827     | Shaft -- Differential Pinion       | 1          | 53       | 908002-4 | Bolt -- Hex ¼-20 x ⅝         | 2          |
| 22       | 6450     | Axle -- Rear -- R.H.               | 1          | 54       | 920081-4 | Lockwasher ¼ Dia.            | 2          |
| 23       | 6451     | Axle -- Rear -- L.H.               | 1          | 55       | 943460   | Plug -- ¼ Pipe               | 1          |
| 24       | 933217   | Roll Pin ¼ x 1½                    | 2          | 56       | 943420   | Plug ⅜ Pipe                  | 1          |
| 25       | 908043-4 | Bolt -- Hex ⅜-16 x 3½              | 5          | 57       | 3912     | Gasket                       | 1          |
| 26       | 920156-4 | Washer--Internal Shakeproof ⅜ Dia. | 4          | 58       | 908038-4 | Bolt -- Hex ⅜-16 x 2         | 5          |
| 27       | 5176     | Gear -- Input                      | 1          | 59       | 915113-6 | Nut -- Hex ⅜-16 Nylok        | 6          |
| 28       | 1518     | Bearing -- Needle ⅜ I.D.           | 2          | *60      | 5632     | Ass'y. Shift Stick           | 1          |
| 29       | 5173     | Gear -- Hi & 2nd                   | 1          | *61      | 1239     | Set Screw Dog Point ¼-20 x ¾ | 1          |
| 30       | 5174     | Gear -- Low & Reverse              | 1          | *62      | 915111-6 | Nut -- Hex ¼-20 Nylok        | 1          |
| 31       | 5175     | Gear -- Pinion -- Splined          | 1          | *63      | 3577     | Boot                         | 1          |
| 32       | 93613J   | Snap Ring -- 1" Shaft              | 1          | *64      | 1001     | Knob                         | 1          |

\*Not included in 5058 Assembly.

8 versn Bak.



35

5060 Transmission

# 5060 TRANSMISSION PARTS LIST

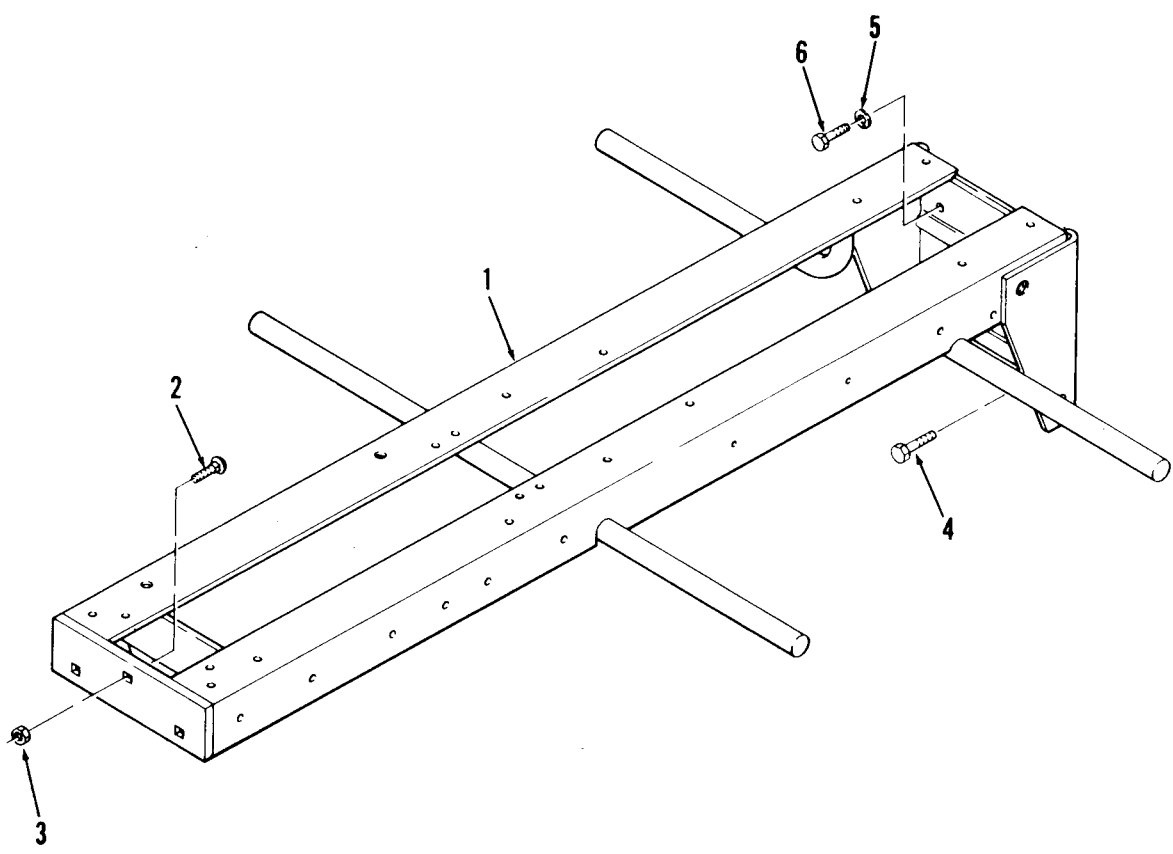
When ordering parts always list Part No. and name of part.

(Specifications subject to change without notice.)

| Item No. | Part No. | Description                           | No. Req'd. | Item No. | Part No. | Description                  | No. Req'd. |
|----------|----------|---------------------------------------|------------|----------|----------|------------------------------|------------|
| 1        | 7066     | Case — R.H.                           | 1          | 42       | 5173     | Gear — Hi and 2nd            | 1          |
| 2        | 1533     | Bearing Ball 1½ I.D.                  | 2          | 43       | 5174     | Gear — Low and Reverse       | 1          |
| 3        | 1532     | Bearing — Needle 1" I.D.              | 1          | 44       | 5615     | Rail — Front Shift           | 1          |
| 4        | 1542     | Bearing — Needle ¾" I.D.              | 1          | 45       | 5616     | Rail — Rear Shift            | 1          |
| 5        | 1526     | Bearing — Needle 1½" I.D.             | 2          | 46       | 3503     | Fork — Shift                 | 2          |
| 6        | 1529     | Bearing — Needle ¾ I.D.               | 2          | 47       | 933156   | Roll Pin ¼ x 1               | 2          |
| 7        | 1461     | Seal — Oil ¾ Shaft = 100442           | 1          | 48       | 5614     | Pin — Shift Stop             | 1          |
| 8        | 1213     | Seal Oil 1½ Shaft = <del>100863</del> | 2          | 49       | 3525     | Gear — Cluster               | 1          |
| 9        | 3915     | Pin — Dowel 100443                    | 2          | 50       | 1504     | Bearing — Bronze ¾ I.D.      | 2          |
| 10       | 6941     | Case — L.H.                           | 1          | 51       | 3528     | Gear — Reduction Pinion      | 1          |
| 11       | 1530     | Bearing — Needle 1" I.D.              | 1          | 52       | 3527     | Gear — Reduction             | 1          |
| 12       | 1531     | Bearing — Needle ¾ I.D.               | 1          | 53       | 3910     | Shaft — Cluster Gear         | 1          |
| 13       | 1232     | Seal — Oil 1" Shaft — Brake           | 1          | 54       | 937014   | Key #9 Woodruff              | 2          |
| 14       | 7194     | End Cap R.H.                          | 1          | 55       | 4204     | Gear — Reverse Idler         | 1          |
| 15       | 7195     | End Cap L.H.                          | 1          | 56       | 1516     | Bushing — Bronze ½" I.D.     | 1          |
| 16       | 7196     | Gear — Differential Ring              | 1          | 57       | 3909     | Shaft                        | 1          |
| 17       | 7197     | Gear — Axle                           | 2          | 58       | 4166     | Gear — Brake Shaft           | 1          |
| 18       | 7198     | Gear — Differential Pinion            | 10         | 59       | 3902     | Drum — Brake                 | 1          |
| 19       | 7199     | Washer — Thrust                       | 2          | 60       | 937022   | Key #15 Woodruff             | 1          |
| 20       | 908138-4 | Bolt ¾-16 x 3¼                        | 5          | 61       | 936131   | Snapping 1" Shaft            | 1          |
| 21       | 915663-4 | Nut — Elastic Stop ¾-16               | 5          | 62       | 7376     | Ass'y. Brake Band & Lining   | 1          |
| 22       | 920009-4 | Washer — Flat ¾ SAE                   | 10         | 63       | 908002-4 | Bolt — Hex ¼-20 x ¾          | 2          |
| 23       | 7202     | Axle — Rear R.H.                      | 1          | 64       | 920081-4 | Lockwasher ¼" Dia.           | 2          |
| 24       | 7203     | Axle — Rear L.H.                      | 1          | 65       | 943460   | Plug ¼ Pipe                  | 1          |
| 25       | 7169     | Snap Ring — Heavy Duty — External     | 2          | 66       | 943420   | Plug ¾ Pipe                  | 1          |
| 26       | 7201     | Shaft — Input                         | 1          | 67       | 3912     | Gasket                       | 1          |
| 27       | 7204     | Gear & Spline                         | 1          | 68       | 908043-4 | Bolt Hex ¾-16 — 3½           | 1          |
| 28       | 1518     | Bearing — Needle ¾ I.D.               | 4          | 69       | 908038-4 | Bolt Hex ¾-16 x 2            | 5          |
| 29       | 5175     | Pinion Gear & Spline                  | 1          | 70       | 915113-6 | Nut ¾-16 Nyllok              | 6          |
| 30       | 7205     | Gear — Sliding                        | 1          | 71       | 943322   | Nipple ¾ Pipe x 1            | 1          |
| 31       | 7206     | Gear — Reduction                      | 1          | 72       | 943003   | Coupling ¾ Pipe              | 1          |
| 32       | 7207     | Bearing — Needle ¾ I.D.               | 2          | 73       | 7418     | Thrust Washer                | 1          |
| 33       | 7208     | Shaft — Reduction Gear                | 1          | 74       | 1243     | Plug                         | 1          |
| 34       | 7209     | Ass'y. Shift Fork                     | 1          | 75       | 5632     | Ass'y. Shift Stick           | 1          |
| 35       | 3517     | Ball — Stop                           | 3          | 76       | 1239     | Set Screw ¼-20 x ¾ Dog Point | 1          |
| 36       | 3518     | Spring — Stop                         | 2          | 77       | 915111-4 | Nut Hex ¼-20                 | 1          |
| 37       | 7213     | Bolt — Detent                         | 1          | 78       | 3577     | Boot                         | 1          |
| 38       | 7214     | Lever — Shift                         | 1          | 79       | 1001     | Knob                         | 2          |
| 39       | 7200     | Body                                  | 2          | 80       | 7217     | Ass'y. Handle — Shift        | 1          |
| 40       | 933209   | Roll Pin                              | 4          | 81       | 933184   | Roll Pin ¾ x ¾               | 1          |
| 41       | 7235     | Spring — Cylindrical                  | 1          |          |          |                              |            |

\*Not Included in No. 5060 Assembly.

SECTION 1 - FRAME

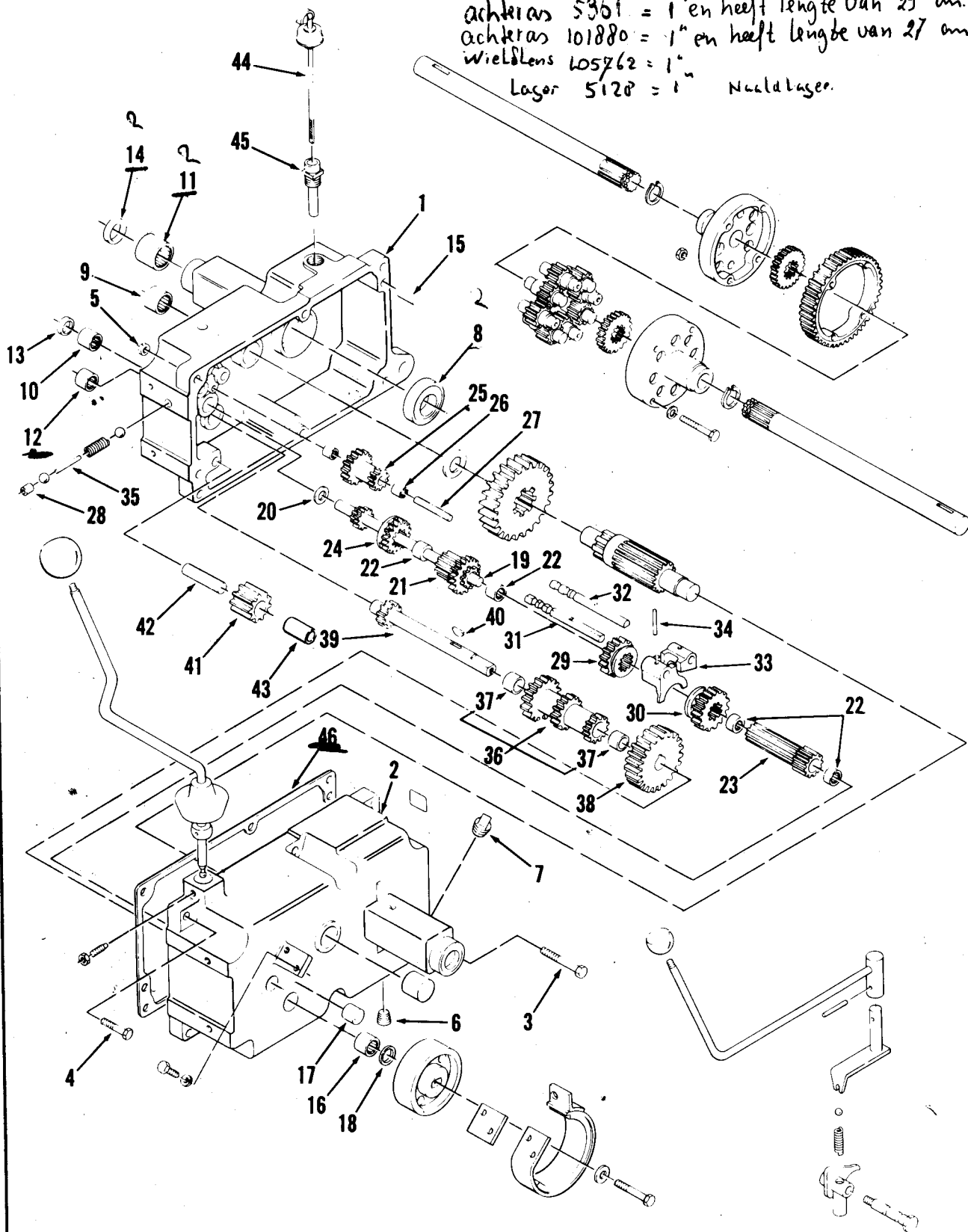




| Item | Part Number | Description                       | Automatic |   |
|------|-------------|-----------------------------------|-----------|---|
|      |             |                                   | 8-Speed   |   |
|      |             | <b>Figure 1-1</b><br><b>FRAME</b> |           |   |
| 1    | 106229      | Frame .....                       | 1         | 1 |
| 2    | 900063      | Carriage Bolt 3/8-16 X 5/8 .....  | 3         | 3 |
| 3    | 915113      | Eslok Nut 3/8-16 .....            | 3         | 3 |
| 4    | 908032      | Bolt 3/8-16 X 3/4 .....           | 2         | 2 |
| 5    | 920083      | Lockwasher 3/8 .....              | 2         | 2 |
| 6    | 908033      | Bolt 3/8-16 X 7/8 .....           | 2         | 2 |

SECTION 3 - 8-SPEED TRANSMISSION

achteras 5361 = 1" en heeft lengte van 29 mm.  
 achteras 101880 = 1" en heeft lengte van 27 mm.  
 wielblens 105762 = 1"  
 Laser 5128 = 1" Naaldlager.

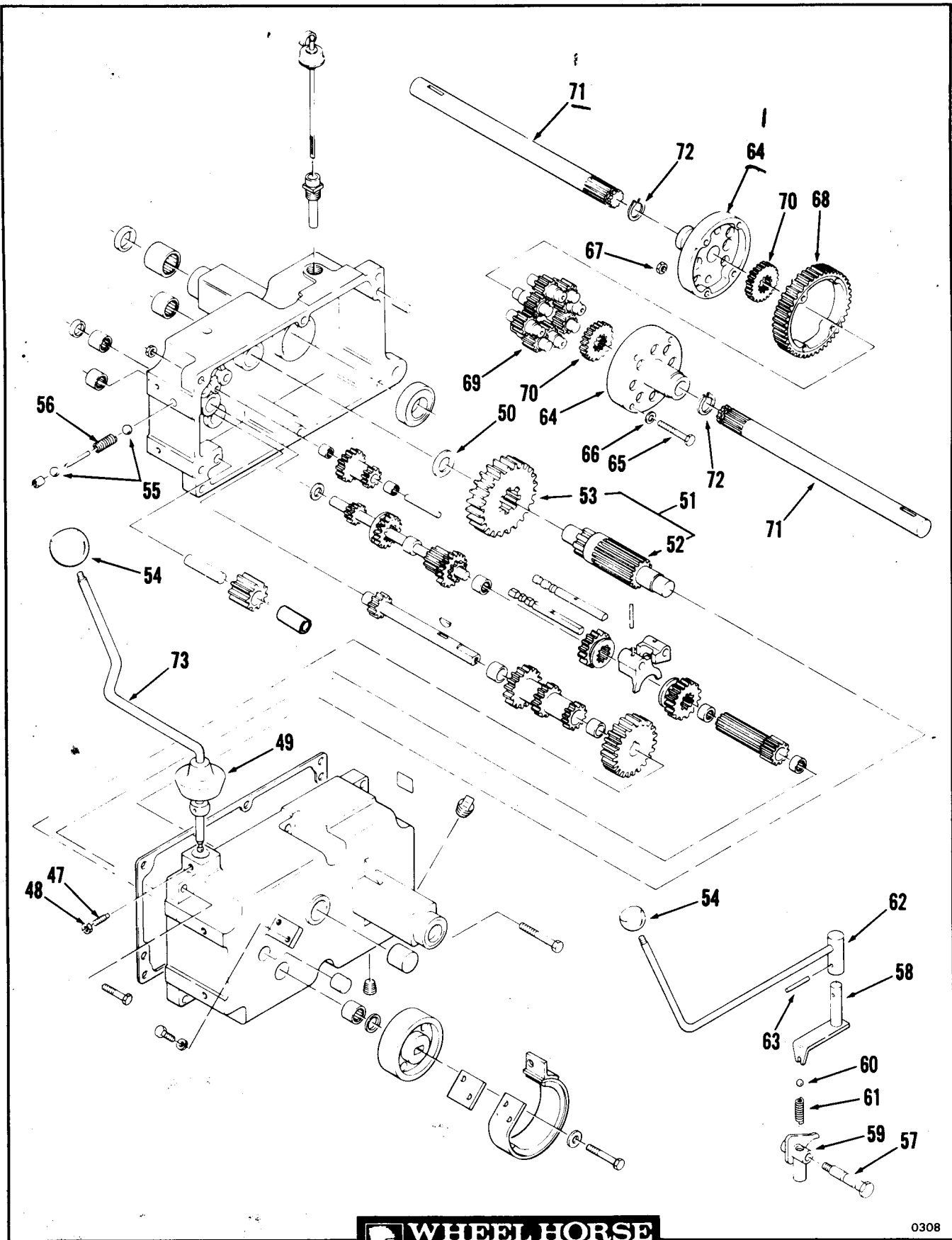


0307

Figure 3-1

Mechanical Transmission - 8 Speed

| Item | Part Number | Description  |         |           |
|------|-------------|--|---------|-----------|
|      |             |  | 8-Speed | Automatic |
|      |             | <b>Figure 3-1</b>  |         |           |
|      |             | <b>MECHANICAL TRANSMISSION - 8 SPEED</b>                                 |         |           |
|      | 103916      | Assembly 8-Speed Transmission . . . . .                                  | 1       |           |
| 1    | 8163        | Case-Transmission RH . . . . .   | 1       |           |
| 2    | 6941        | Case-Transmission LH . . . . .   | 1       |           |
| 3    | 908043      | Bolt 3/8-16 X 3 1/2 . . . . .  | 1       |           |
| 4    | 908038      | Bolt 3/8-16 X 2 . . . . .  | 5       |           |
| 5    | 915113      | Eslok Nut 3/8-16 . . . . .   | 6       |           |
| 6    | 943460      | Allen HD Pipe Plug . . . . .   | 1       |           |
| 7    | 942420      | Sq HD Pipe Plug . . . . .  | 1       |           |
| 8    | 1533*       | Ball Bearing . . . . .   | 2       |           |
| 9    | 1532        | Needle Bearing . . . . .   | 2       |           |
| 10   | 1542        | Needle Bearing . . . . .   | 1       |           |
| 11   | 9416        | Needle Bearing . . . . .   | 2       |           |
| 12   | 1529        | Needle Bearing . . . . .   | 1       |           |
| 13   | 100442      | Seal . . . . .   | 1       |           |
| 14   | 100443      | Seal . . . . .   | 2       |           |
| 15   | 3915        | Locating Pin . . . . .   | 2       |           |
| 16   | 1523        | Needle Bearing . . . . .   | 1       |           |
| 17   | 1531        | Needle Bearing . . . . .   | 1       |           |
| 18   | 100441      | Seal . . . . .   | 1       |           |
| 19   | 7201        | Input Shaft . . . . .  | 1       |           |
| 20   | 7418        | Thrust Washer . . . . .  | 1       |           |
| 21   | 7204        | Gear . . . . .   | 1       |           |
| 22   | 1518        | Needle Bearing . . . . .   | 4       |           |
| 23   | 5175        | Gear . . . . .   | 1       |           |
| 24   | 7205        | Sliding Gear . . . . .   | 1       |           |
| 25   | 7206        | Reduction Gear . . . . .   | 1       |           |
| 26   | 7207        | Needle Bearing . . . . .   | 2       |           |
| 27   | 7208        | Shaft-Reduction Gear . . . . .   | 1       |           |
| 28   | 1243        | Plug Cup . . . . .   | 1       |           |
| 29   | 5173        | Gear . . . . .   | 1       |           |
| 30   | 5174        | Gear . . . . .   | 1       |           |
| 31   | 5615        | Shift Rail-Front . . . . .   | 1       |           |
| 32   | 5616        | Shift Rail-Rear . . . . .  | 1       |           |
| 33   | 3503        | Shift Fork . . . . .   | 2       |           |
| 34   | 933156      | Spirol Pin 1/8 X 1 . . . . .   | 2       |           |
| 35   | 5614        | Shift Pin . . . . .  | 1       |           |
| 36   | 7269        | Cluster Gear With Bushings . . . . .                                     | 1       |           |
| 37   | 1504        | Bronze Bushing . . . . .   | 2       |           |
| 38   | 3527        | Reduction Gear . . . . .   | 1       |           |
| 39   | 9840        | Cluster Shaft . . . . .  | 1       |           |
| 40   | 937014      | Woodruff Key 3/16 X 3/4 . . . . .  | 1       |           |
| 41   | 4204        | Gear-Reverse Idler . . . . .   | 1       |           |
| 42   | 3909        | Pin-Reverse Idler . . . . .  | 1       |           |
| 43   | 1516        | Bushing-Reverse Idler . . . . .  | 1       |           |
| 44   | 106447      | Dipstick Assembly . . . . .  | 1       |           |
| 45   | 106448      | Nipple-Transmission Fill . . . . .                                       | 1       |           |
| 46   | 3912        | Transmission Case Gasket . . . . .                                       | 1       |           |
|      |             | *Some Models Built With Needle Bearing 8048 and Inner Bearing Race 8052. |         |           |

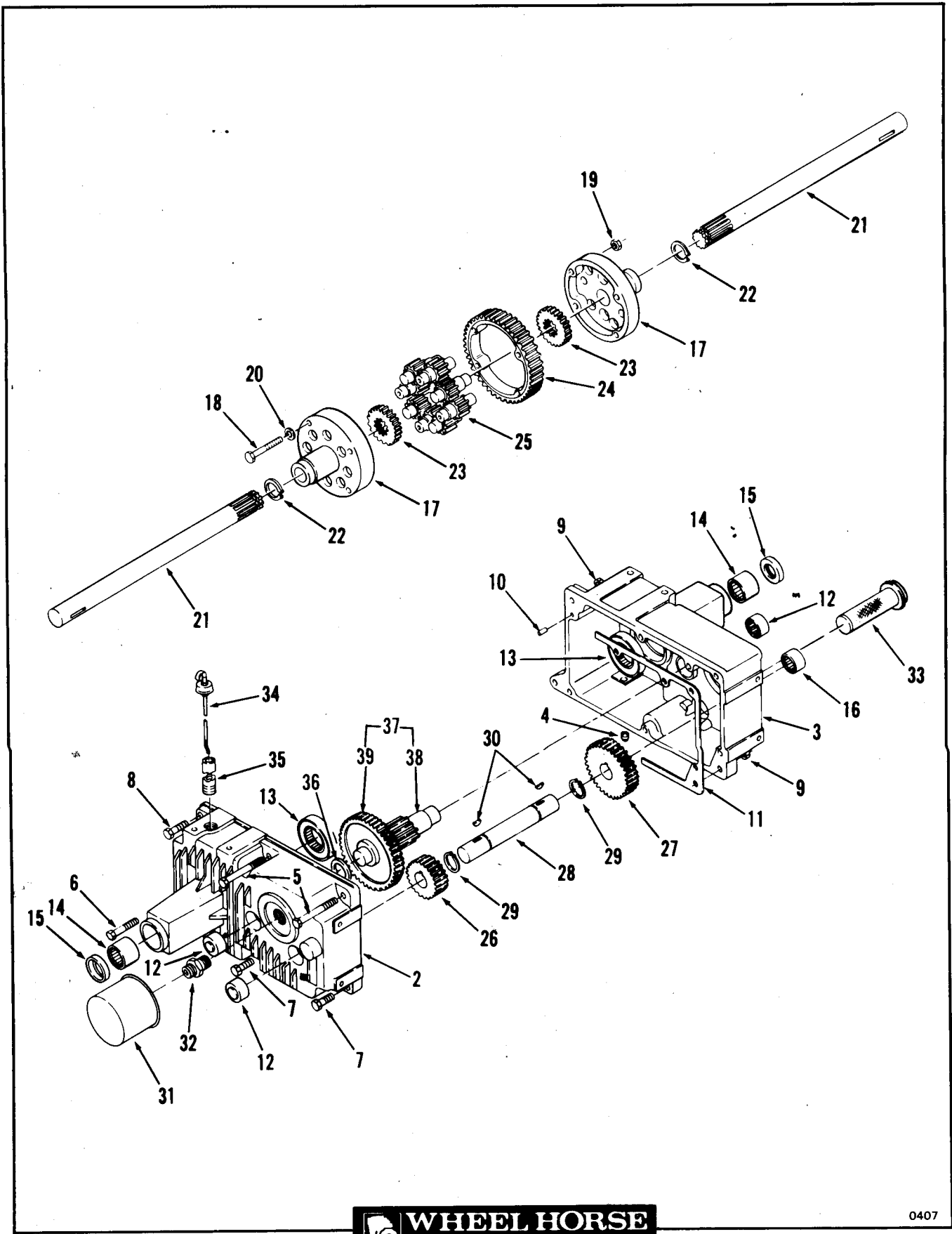


**WHEEL HORSE**  
lawn & garden tractors

0308

Figure 3-2 Mechanical Transmission - 8 Speed

| Item  | Part Number | Description                        |         |           |
|---|-------------|------------------------------------|---------|-----------|
|   |             |                                    | 8-Speed | Automatic |
| <b>Figure 3-2<br/>MECHANICAL TRANSMISSION - 8 SPEED</b> |             |                                    |         |           |
| 47  | 1239        | Special Set Screw .....            | 1       |           |
| 48  | 915111      | Nut 1/4-20 .....                   | 1       |           |
| 49  | 3577        | Dust Cover .....                   | 1       |           |
| 50  | 9547        | Thrust Washer .....                | 1       |           |
| 51  | 102974      | Gear Assembly .....                | 1       |           |
| 52  | 101625      | Gear 11 Tooth .....                | 1       |           |
| 53  | 101626      | Gear 44 Tooth .....                | 1       |           |
| 54  | 102871      | Shift Knob .....                   | 2       |           |
| 55  | 3517        | Detent Ball 1/4 Diameter .....     | 2       |           |
| 56  | 106030      | Detent Spring .....                | 1       |           |
| 57  | 7213        | Detent Bolt .....                  | 1       |           |
| 58  | 7214        | Shift Shaft HI-Low Range .....     | 1       |           |
| 59  | 7209        | Shift Fork HI-Low Range .....      | 1       |           |
| 60  | 3517        | Detent Ball 1/4 Diameter .....     | 1       |           |
| 61  | 106030      | Detent Spring .....                | 1       |           |
| 62  | 106366      | Shift Lever HI-Low Range .....     | 1       |           |
| 63  | 933184      | Spirol Pin 3/16 X 3/4 .....        | 1       |           |
| 64  | 105060      | Differential End Cap .....         | 2       |           |
| 65  | 911423      | Bolt 3/8-16 X 3 1/2 Grade 8 .....  | 4       |           |
| 66  | 106049      | Special Washer-Case Hardened ..... | 4       |           |
| 67  | 915113      | Eslok Nut 3/8-16 .....             | 4       |           |
| 68  | 105061      | Differential Ring Gear .....       | 1       |           |
| 69  | 101623      | Differential Pinion Gear .....     | 8       |           |
| 70  | 101889      | Differential Axle Gear .....       | 2       |           |
| 71  | 105875      | Rear Axle .....                    | 2       |           |
| 72  | 105876      | Special Snap Ring .....            | 2       |           |
| 73  | 106367      | Gear Shift Lever .....             | 1       |           |

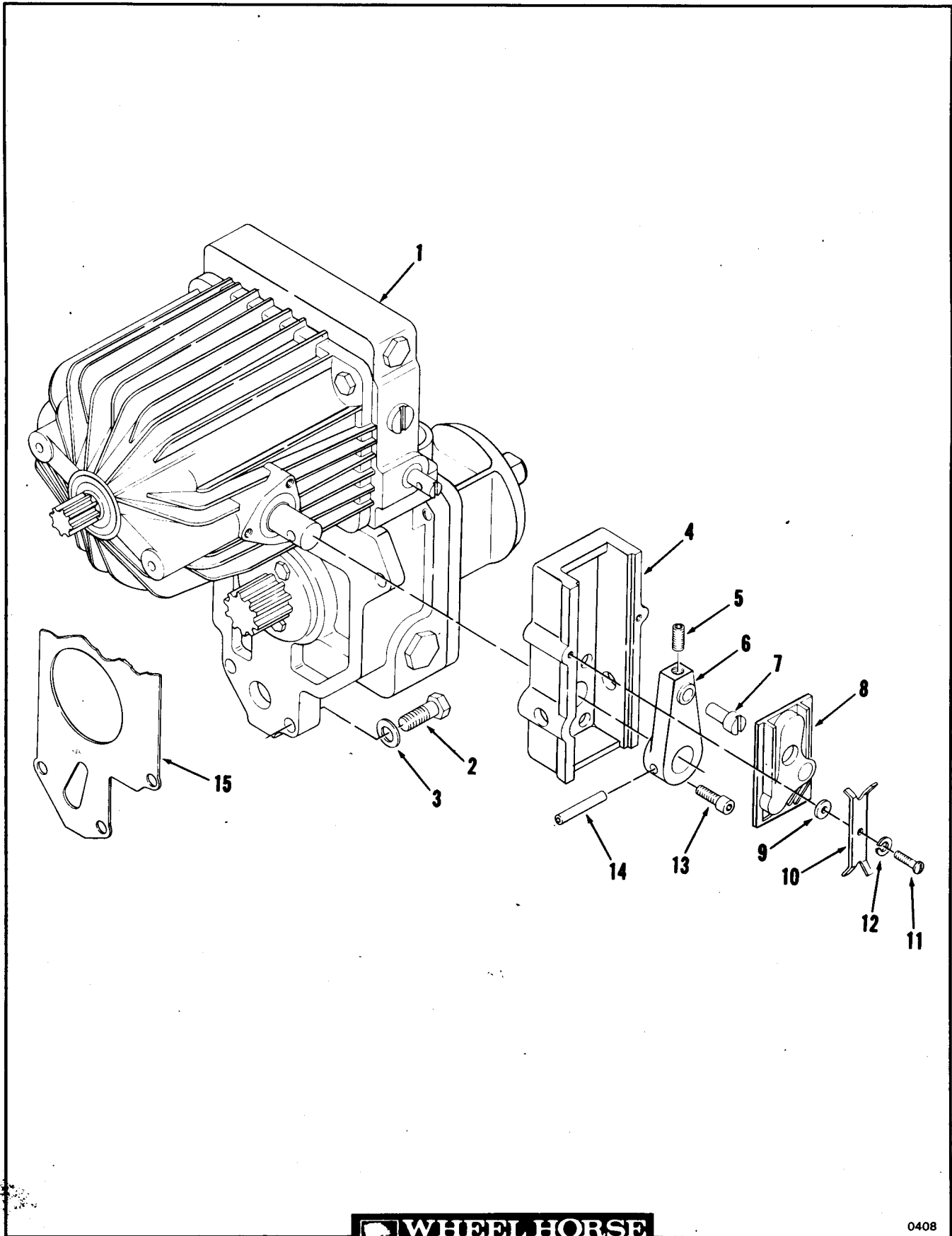


0407

Figure 4-1 Transaxle



| Item | Part Number | Description                        | Automatic |   |
|------|-------------|------------------------------------|-----------|---|
|      |             |                                    | 8-Speed   |   |
|      |             | <b>Figure 4-1<br/>TRANSAXLE</b>    |           |   |
| 1    | 106457      | Transaxle Complete .....           |           | 1 |
| 2    | 106456      | Case-Transaxle RH .....            |           | 1 |
| 3    | 106507      | Case-Transaxle LH .....            |           | 1 |
| 4    | 943460      | Allen HD Pipe Plug .....           |           | 1 |
| 5    | 908143      | Bolt 3/8-16 X 5 .....              |           | 2 |
| 6    | 908043      | Bolt 3/8-16 X 3 1/2 .....          |           | 1 |
| 7    | 908040      | Bolt 3/8-16 X 2 1/2 .....          |           | 2 |
| 8    | 908037      | Bolt 3/8-16 X 1 3/4 .....          |           | 1 |
| 9    | 915113      | Eslok Nut 3/8-16 .....             |           | 6 |
| 10   | 3915        | Locating Pin .....                 |           | 2 |
| 11   | 5999        | Transmission Case Gasket .....     |           | 1 |
| 12   | 1532        | Needle Bearing .....               |           | 3 |
| 13   | 1533        | Ball Bearing .....                 |           | 2 |
| 14   | 9416        | Needle Bearing .....               |           | 2 |
| 15   | 6449        | Seal-Axle .....                    |           | 2 |
| 16   | 8049        | Needle Bearing .....               |           | 1 |
| 17   | 105060      | Differential End Cap .....         |           | 2 |
| 18   | 911423      | Bolt 3/8-16 X 3 1/2 Grade 8 .....  |           | 4 |
| 19   | 915663      | Eslok Nut 3/8-16 .....             |           | 4 |
| 20   | 106049      | Special Washer-Case Hardened ..... |           | 4 |
| 21   | 105875      | Rear Axle .....                    |           | 2 |
| 22   | 105876      | Special Snap Ring .....            |           | 2 |
| 23   | 101889      | Differential Axle Gear .....       |           | 2 |
| 24   | 105061      | Differential Ring Gear .....       |           | 1 |
| 25   | 101623      | Differential Pinion Gear .....     |           | 8 |
| 26   | 102782      | Gear-Reduction .....               |           | 1 |
| 27   | 101885      | Gear-Input .....                   |           | 1 |
| 28   | 5965        | Shaft .....                        |           | 1 |
| 29   | 936131      | Snap Ring 1 in .....               |           | 2 |
| 30   | 937014      | Woodruff Key 3/16 X 3/4 .....      |           | 2 |
| 31   | 102819      | Oil Filter .....                   |           | 1 |
| 32   | 5991        | Adapter-Oil Filter .....           |           | 1 |
| 33   | 106047      | Strainer .....                     |           | 1 |
| 34   | 106446      | Dipstick .....                     |           | 1 |
| 35   | 106448      | Filler Tube .....                  |           | 1 |
| 36   | 9547        | Thrust Washer .....                |           | 1 |
| 37   | 102865      | Gear Assembly .....                |           | 1 |
| 38   | 103395      | Gear-Pinion .....                  |           | 1 |
| 39   | 102781      | Gear-Reduction .....               |           | 1 |



0408

Figure 4-2 Automatic Transmission

| Item | Part Number | Description                                      | Automatic |   |
|------|-------------|--|-----------|---|
|      |             |  | 8-Speed   |   |
|      |             | <b>Figure 4-2</b>                                |           |   |
|      |             | <b>AUTOMATIC TRANSMISSION</b>                    |           |   |
| 1    | 106458      | Pump & Motor C-121 Only .....                    |           | 1 |
| 1    | 106459      | Pump & Motor C-161, C-141, C-161 Twin Only ..... |           | 1 |
| 2    | 908036      | Bolt 3/16-18 X 1 1/2 .....                       |           | 2 |
| 3    | 920009      | Washer 3/8 SAE .....                             |           | 2 |
| 4    | 5993        | Cam Block Support .....                          |           | 1 |
| 5    | 909849      | Set Screw 1/4-20 X 5/16 Nyllok .....             |           | 1 |
| 6    | 102787      | Cam Follower Arm .....                           |           | 1 |
| 7    | 5995        | Eccentric .....                                  |           | 1 |
| 8    | 5996        | Cam Plate .....                                  |           | 1 |
| 9    | 920229      | Special Washer .....                             |           | 2 |
| 10   | 5998        | Tension Plate .....                              |           | 2 |
| 11   | 910777      | Screw #8-32 X 1/2 .....                          |           | 2 |
| 12   | 920078      | Lockwasher #8 .....                              |           | 2 |
| 13   | 911037      | Screw 1/4-20 X 1/2 Allen HD .....                |           | 3 |
| 14   | 933269      | Spirol Pin 1/4 X 1 1/4 .....                     |           | 1 |
| 15   | 102759      | Gasket-Motor To Transaxle .....                  |           | 1 |

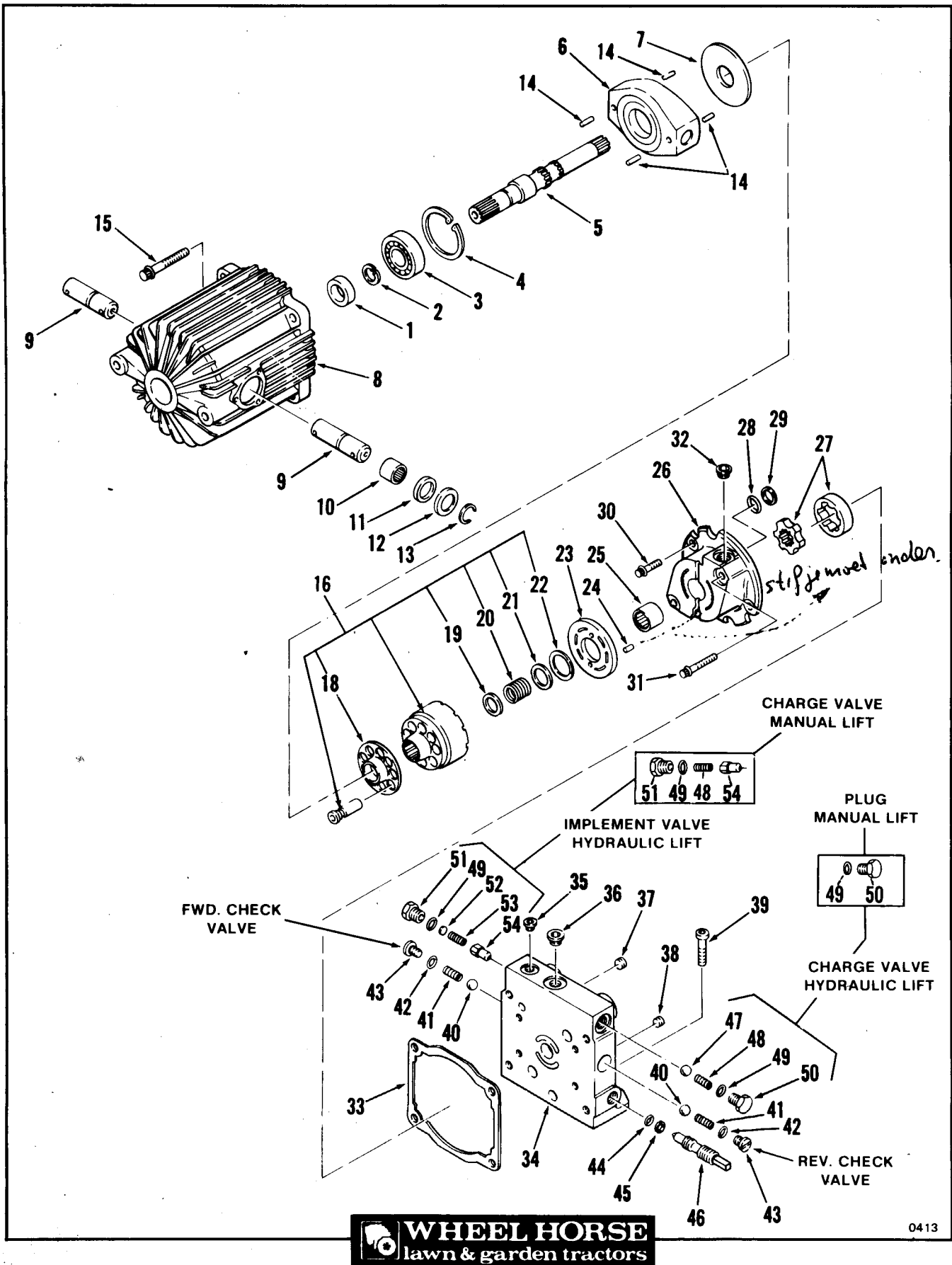
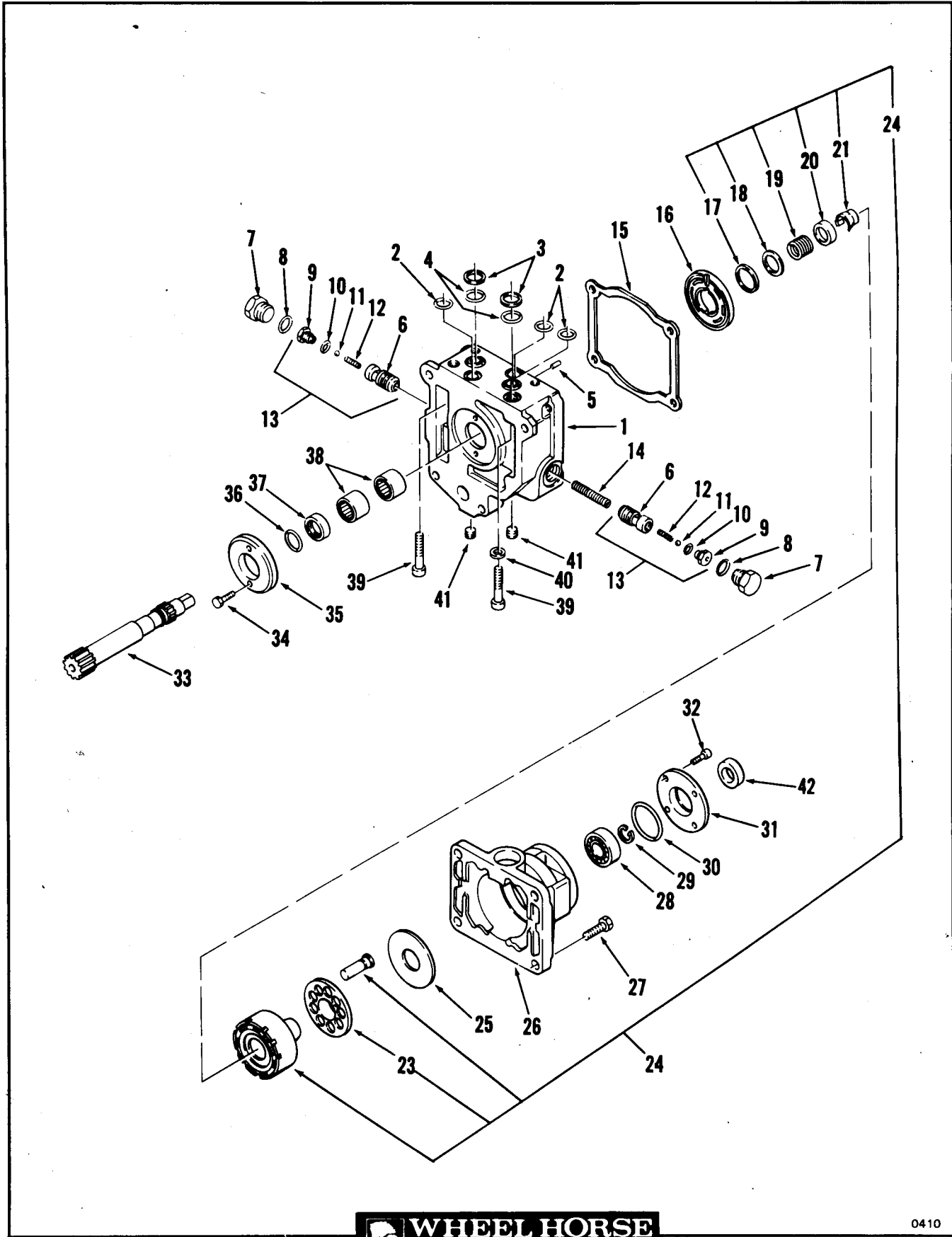


Figure 4-3 Automatic Transmission

| Item | Part Number | Description  | Automatic |   |
|------|-------------|--|-----------|---|
|      |             |  | 8-Speed   |   |
|      |             | <b>Figure 4-3</b>  |           |   |
|      |             | <b>AUTOMATIC TRANSMISSION</b>                            |           |   |
| 1    | 7877        | Seal-Pump Shaft .....                                    |           | 1 |
| 2    | 200229      | Snap Ring .....  |           | 1 |
| 3    | 200214      | Ball Bearing .....                                       |           | 1 |
| 4    | 200215      | Snap Ring .....  |           | 1 |
| 5    | 200213      | Pump Shaft .....   |           | 1 |
| 6    | 200217      | Variable Swash Plate .....                               |           | 1 |
| 7    | 200188      | Thrust Plate .....                                       |           | 1 |
| 8    | 200216      | Pump Housing .....                                       |           | 1 |
| 9    | 200235      | Control Trunnion Shaft .....                             |           | 2 |
| 10   | 200237      | Needle Bearing .....                                     |           | 2 |
| 11   | 103461      | Seal .....   |           | 2 |
| 12   | 103462      | Washer .....   |           | 2 |
| 13   | 103463      | Retaining Ring .....                                     |           | 2 |
| 14   | 200234      | Spirol Pin .....   |           | 4 |
| 15   | 200239      | Cap Screw .....  |           | 4 |
| 16   | 200219      | Cylinder Block Kit Inc 18-22 .....                       |           | 1 |
| 18   | 200212      | Slipper Retainer .....                                   |           | 1 |
| 19   | 200243      | Special Washer .....                                     |           | 1 |
| 20   | 200244      | Spring-Pump Cylinder Block .....                         |           | 1 |
| 21   | 200245      | Special Front Washer .....                               |           | 1 |
| 22   | 200208      | Retaining Ring .....                                     |           | 1 |
| 23   | 200220      | Valve Plate-Pump .....                                   |           | 1 |
| 24   | 200198      | Locating Pin .....                                       |           | 1 |
| 25   | 200222      | Needle Bearing .....                                     |           | 1 |
| 26   | 200224      | Charge Pump Housing .....                                |           | 1 |
| 27   | 200225      | Gerotor Pump Assy .....                                  |           | 1 |
| 28   | 971018      | O-Ring Large .....                                       |           | 2 |
| 29   | 103184      | Back-Up Ring .....                                       |           | 2 |
| 30   | 200231      | Cap Screw Short .....                                    |           | 2 |
| 31   | 200230      | Cap Screw Long .....                                     |           | 2 |
| 32   | 200226      | Allen HD Pipe Plug .....                                 |           | 1 |
| 33   | 200223      | Gasket-Pump .....  |           | 1 |
| 34   | 200238      | End Cap-Pump .....                                       |           | 1 |
| 35   | 200241      | Allen HD Pipe Plug .....                                 |           | 1 |
| 36   | 200226      | Allen HD Pipe Plug .....                                 |           | 1 |
| 37   | 200227      | Pipe Plug .....  |           | 1 |
| 38   | 200199      | Pipe Plug .....  |           | 2 |
| 39   | 200184      | Cap Screw .....  |           | 2 |
| 40   | 103216      | Ball .....   |           | 2 |
| 41   | 103457      | Spring-Check Valve .....                                 |           | 2 |
| 42   | 973310      | O-Ring .....   |           | 2 |
| 43   | 103458      | Plug-Check Valve .....                                   |           | 2 |
| 44   | 971012      | O-Ring .....   |           | 1 |
| 45   | 103459      | Back Up Ring .....                                       |           | 1 |
| 46   | 200254      | Push Valve .....   |           | 1 |
| 47   | 103126      | Ball C-161, C-141, C-161 Twin Only .....                 |           | 1 |
| 48   | 103455      | Spring-Charge Pressure .....                             |           | 1 |
| 49   | 973310      | O-Ring .....   |           | 2 |
| 50   | 7752        | Plug .....   |           | 1 |
| 51   | 103217      | Plug .....   |           | 1 |
| 52   | 103574      | Shim Set C-161, C-141, C-161 Twin Only .....             |           | 1 |
| 53   | 103464      | Spring-Lift Pressure C-161, C-141, C-161 Twin Only ..... |           | 1 |
| 54   | 6632        | Cone .....   |           | 1 |

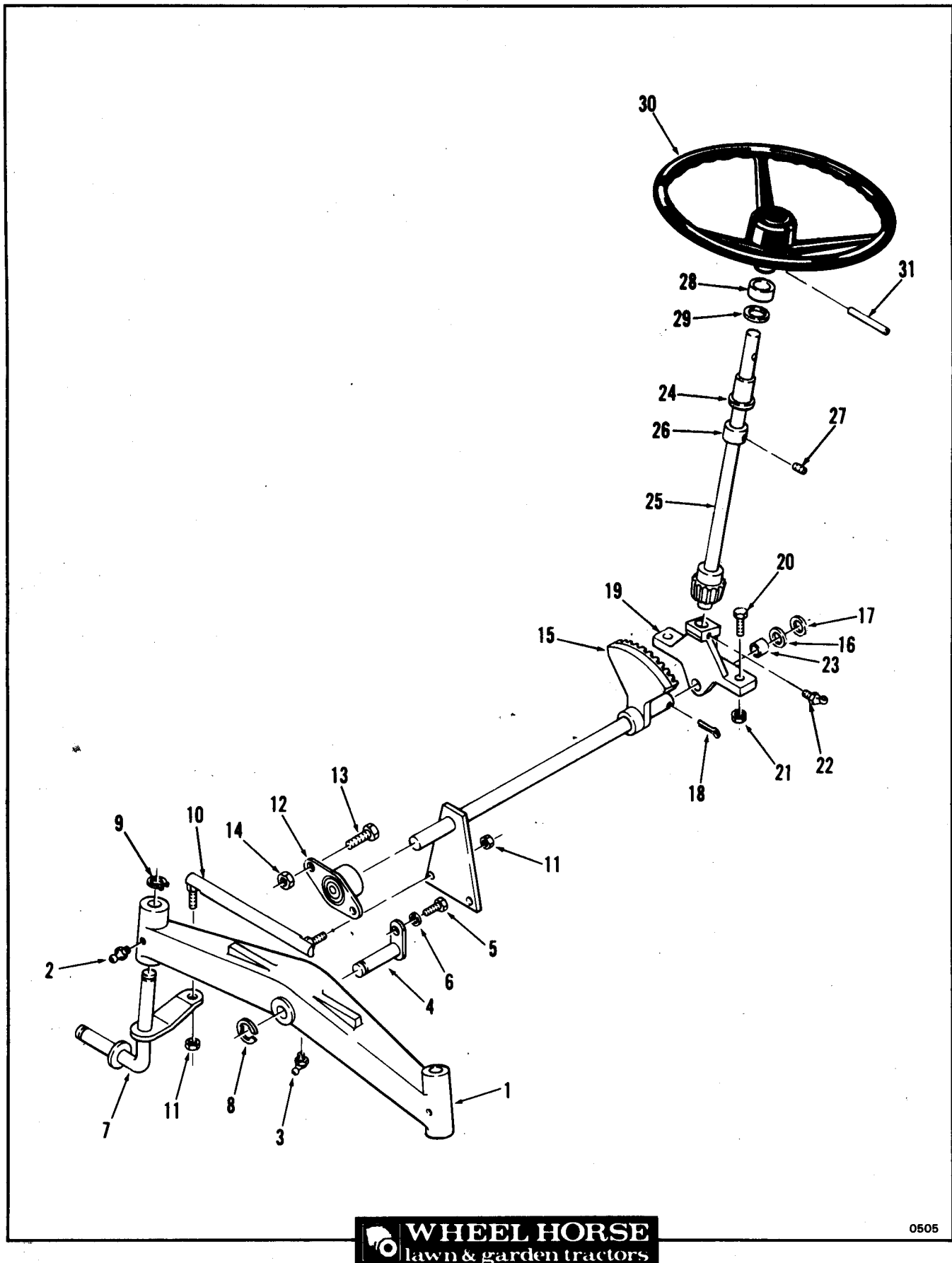


0410

Figure 4-4 Automatic Transmission



| Item   | Part Number | Description  | Automatic |   |
|--|-------------|--|-----------|---|
|  |             |  | 8-Speed   |   |
| <b>Figure 4-4<br/>AUTOMATIC TRANSMISSION</b> |             |  |           |   |
| 1  | 200193      | End Cap-Motor .....                                    |           | 1 |
| 2  | 971015      | O-Ring Small .....                                     |           | 3 |
| 3  | 103184      | Back-Up Ring .....                                     |           | 2 |
| 4  | 971018      | O-Ring Large .....                                     |           | 2 |
| 5  | 200198      | Locating Pin .....                                     |           | 1 |
| 6  | 103588      | Acceleration Valve Body .....                          |           | 1 |
| 7  | 103593      | Plug .....   |           | 2 |
| 8  | 973500      | O-Ring Acceleration Valve .....                        |           | 2 |
| 9  | 103591      | Metering Plug Acceleration Valve .....                 |           | 1 |
| 10   | 973190      | O-Ring Acceleration Valve .....                        |           | 1 |
| 11   | 103590      | Ball Acceleration Valve .....                          |           | 1 |
| 12   | 103589      | Spring Acceleration Valve .....                        |           | 1 |
| 13   | 103588      | Acceleration Valve Assy .....                          |           | 2 |
| 14   | 103592      | Spring .....   |           | 1 |
| 15   | 200191      | Gasket-Motor .....                                     |           | 1 |
| 16   | 200203      | Valve Plate-Motor .....                                |           | 1 |
| 17   | 200208      | Retaining Ring .....                                   |           | 1 |
| 18   | 200209      | Special Washer .....                                   |           | 1 |
| 19   | 200210      | Spring-Motor Cylinder Block .....                      |           | 1 |
| 20   | 200211      | Retainer .....   |           | 1 |
| 21   | 200204      | Retaining Clip .....                                   |           | 1 |
| 23   | 200212      | Slipper Retainer .....                                 |           | 1 |
| 24   | 200190      | Cylinder Block Kit Inc 17-23 .....                     |           | 1 |
| 25   | 200188      | Thrust Plate .....                                     |           | 1 |
| 26   | 200189      | Motor Housing .....                                    |           | 1 |
| 27   | 200202      | Bolt 3/8-16 X 1 1/8 .....                              |           | 4 |
| 28   | 200187      | Ball Bearing .....                                     |           | 1 |
| 29   | 200246      | Snap Ring Heavy Duty .....                             |           | 1 |
| 30   | 970132      | O-Ring .....   |           | 1 |
| 31   | 200253      | Cover Plate-Motor .....                                |           | 1 |
| 32   | 200200      | Cap Screw .....  |           | 4 |
| 33   | 200251      | Motor Shaft .....                                      |           | 1 |
| 34   | 200195      | Cap Screw .....  |           | 2 |
| 35   | 200194      | Centering Pilot .....                                  |           | 1 |
| 36   | 200205      | O-Ring .....   |           | 1 |
| 37   | 200196      | Seal Retainer Inc 36 .....                             |           | 1 |
| 38   | 200192      | Needle Bearing .....                                   |           | 2 |
| 39   | 200186      | Socket HD Cap Screw .....                              |           | 2 |
| 40   | 200185      | Copper Washer .....                                    |           | 1 |
| 41   | 200199      | Pipe Plug .....  |           | 2 |
| 42   | 200252      | Seal-Motor Shaft ... <i>19,28 x 20,57 x 6,35</i> ..... |           | 1 |

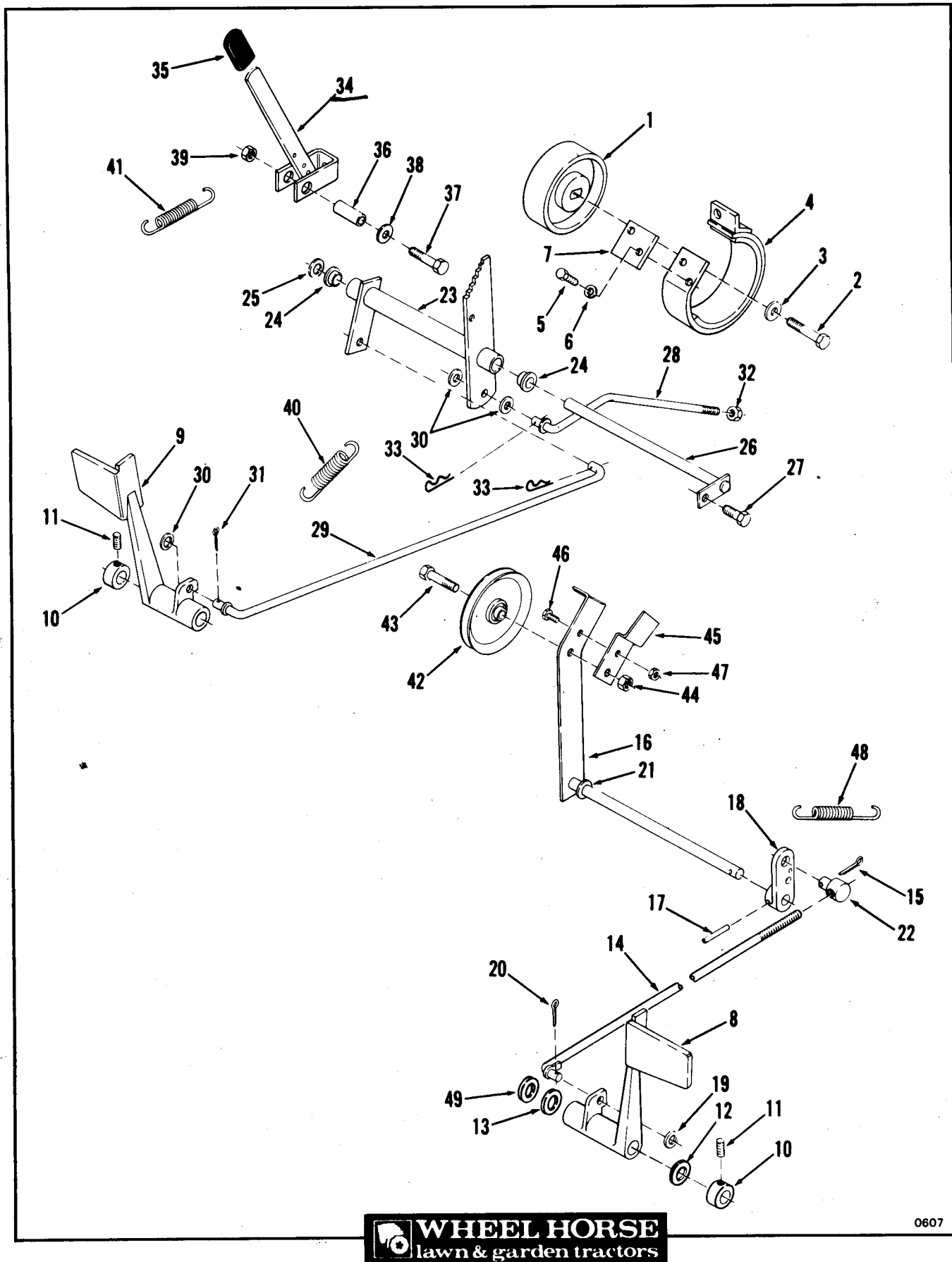


**WHEEL HORSE**  
lawn & garden tractors

0505

Figure 5-1 Front Axle and Steering

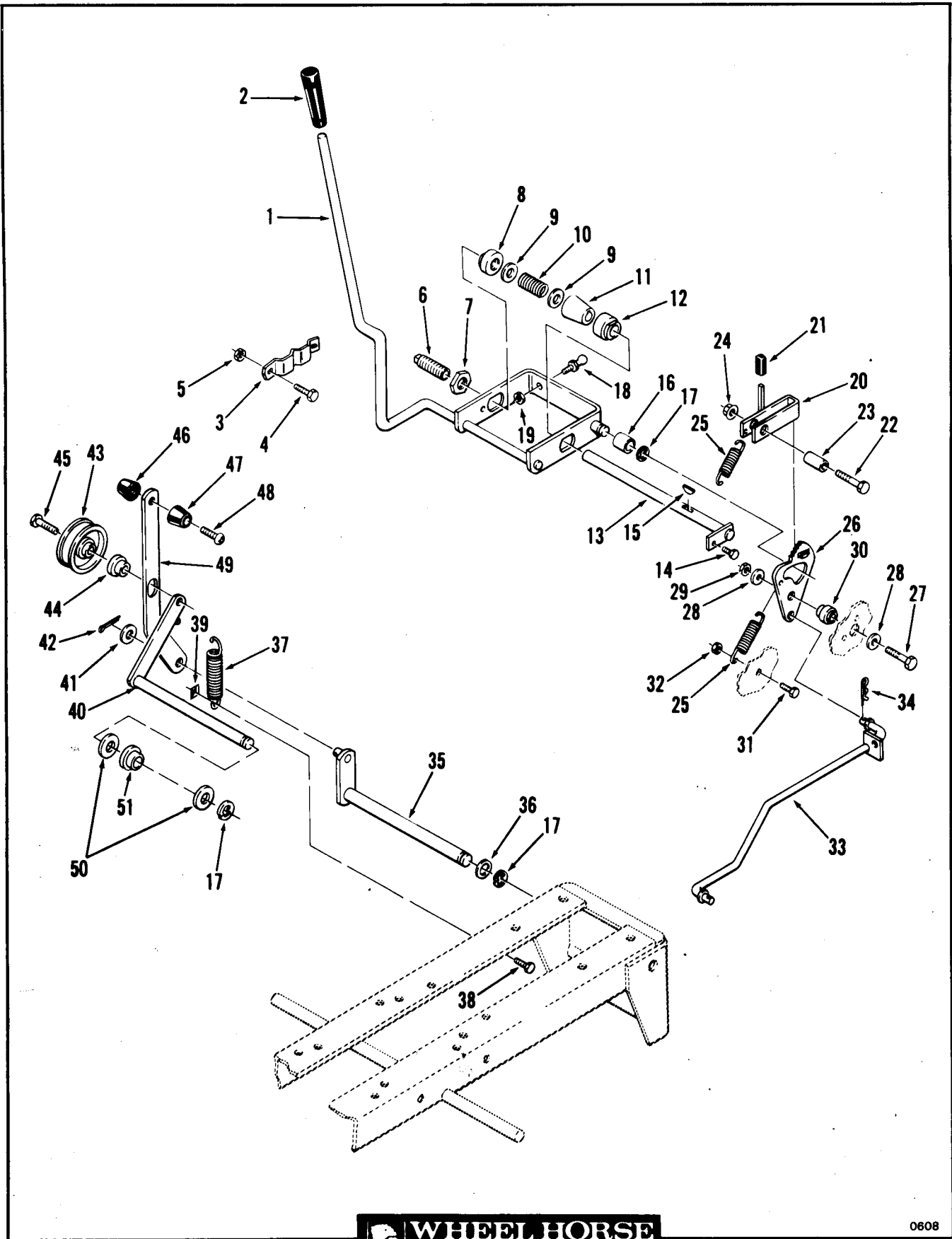
| Item                           | Part Number | Description                         | Automatic |     |
|--------------------------------|-------------|-------------------------------------|-----------|-----|
|                                |             |                                     | 8-Speed   |     |
| <b>Figure 5-1</b>              |             |                                     |           |     |
| <b>FRONT AXLE AND STEERING</b> |             |                                     |           |     |
| 1                              | 5638        | Front Axle .....                    | 1         | 1   |
| 2                              | 1030        | Grease Fitting Straight .....       | 2         | 2   |
| 3                              | 1481        | Grease Fitting 45 Degree .....      | 1         | 1   |
| 4                              | 6216        | Pin and Plate .....                 | 1         | 1   |
| 5                              | 908015      | Bolt 5/16-18 X 1/2 .....            | 1         | 1   |
| 6                              | 920082      | Lockwasher 5/16 .....               | 1         | 1   |
| 7                              | 105967      | Front Spindle RH .....              | 1         | 1   |
| 7                              | 105968      | Front Spindle LH .....              | 1         | 1   |
| 8                              | 5618        | E-Ring .....                        | 1         | 1   |
| 9                              | 104822      | Special Snap Ring .....             | 2         | 2   |
| 10                             | 102592      | Tie Rod RH .....                    | 1         | 1   |
| 10                             | 102593      | Tie Rod LH .....                    | 1         | 1   |
| 11                             | 915002      | Esllok Nut 3/8-24 .....             | 4         | 4   |
| 12                             | 6472        | Flanged Bearing .....               | 1         | 1   |
| 13                             | 908032      | Bolt 3/8-16 X 3/4 .....             | 2         | 2   |
| 14                             | 915113      | Esllok Nut 3/8-16 .....             | 2         | 2   |
| 15                             | 6469        | Lower Steering Shaft .....          | 1         | 1   |
| 16                             | 5210        | Shim Washer 3/4 X .015 .....        | XXX       | XXX |
| 17                             | 1278        | Shim Washer 3/4 X .050 .....        | XXX       | XXX |
| 18                             | 932035      | Cotter Pin 3/16 X 1 1/4 .....       | 1         | 1   |
| 19                             | 6396        | Steering Support .....              | 1         | 1   |
| 20                             | 908035      | Bolt 3/8-16 X 1 1/4 .....           | 2         | 2   |
| 21                             | 915113      | Esllok Nut 3/8-16 .....             | 2         | 2   |
| 22                             | 1481        | Grease Fitting 45 Degree .....      | 1         | 1   |
| 23                             | 6397        | Bearing-Lower Steering Shaft .....  | 1         | 1   |
| 24                             | 101442      | Bearing-Upper Steering Shaft .....  | 1         | 1   |
| 25                             | 106177      | Upper Steering Shaft .....          | 1         | 1   |
| 26                             | 1085        | Collar-Upper Steering Shaft .....   | 1         | 1   |
| 27                             | 909848      | Set Screw 1/4-20 X 1/4 Cup Pt. .... | 1         | 1   |
| 28                             | 104007      | Spacer .....                        | 1         | 1   |
| 29                             | 7898        | Bowed Washer .....                  | 1         | 1   |
| 30                             | 106055      | Steering Wheel .....                | 1         | 1   |
| 31                             | 933221      | Spirol Pin 1/4 X 2 .....            | 1         | 1   |



0607

Figure 6-1 Clutch, Brake and Speed Control Linkage

| Item   | Part Number | Description   | Automatic |  |
|--|-------------|---|-----------|--|
|  |             |   | 8-Speed   |  |
| <b>Figure 6-1</b>                              |             |   |           |  |
| <b>CLUTCH, BRAKE AND SPEED CONTROL LINKAGE</b> |             |   |           |  |
| 1  | 106719      | Brake Drum . . . . .  | 1         |  |
| 2  | 908032      | Bolt 3/8-16 X 3/4 . . . . .   | 1         |  |
| 3  | 2844        | Special Washer . . . . .  | 1         |  |
| 4  | 9593        | Brake Band . . . . .  | 1         |  |
| 5  | 908002      | Bolt 1/4-20 X 5/8 . . . . .   | 2         |  |
| 6  | 920081      | Lockwasher 1/4 . . . . .  | 2         |  |
| 7  | 9598        | Back-Up Plate . . . . .   | 1         |  |
| 8  | 103599      | Pedal-Clutch . . . . .  | 1         |  |
| 9  | 103323      | Pedal-Brake . . . . .   | 1         |  |
| 10   | 1085        | Collar . . . . .  | 2         |  |
| 11   | 909848      | Set Screw 1/4-20 X 1/4 Cup Pt . . . . .                                     | 2         |  |
| 12   | 7896        | Bowed Washer . . . . .  | 1         |  |
| 13   | 1278        | Shim Washer 3/4 X .050 . . . . .  | XXX       |  |
| 14   | 103347      | Clutch Rod . . . . .  | 1         |  |
| 15   | 932017      | Cotter Pin 1/8 X 1 . . . . .  | 1         |  |
| 16   | 106525      | Clutch Idler Arm . . . . .  | 1         |  |
| 17   | 933190      | Spirol Pin 3/16 X 1 1/4 . . . . .   | 1         |  |
| 18   | 105896      | Clutch Rod Arm . . . . .  | 1         |  |
| 19   | 920248      | Nylon Washer 3/8 . . . . .  | 1         |  |
| 20   | 932016      | Cotter Pin 1/8 X 3/4 . . . . .  | 1         |  |
| 21   | 3765        | Shim Washer 1/2 X .030 . . . . .  | XXX       |  |
| 22   | 101161      | Trunnion-Clutch Rod . . . . .   | 1         |  |
| 23   | 103543      | Bell Crank-Brake Linkage . . . . .  | 1         |  |
| 24   | 7879        | Bushing . . . . .   | 2         |  |
| 25   | 920011      | Washer 1/2 SAE . . . . .  | 1         |  |
| 26   | 106417      | Rod-Bell Crank Pivot . . . . .  | 1         |  |
| 27   | 926694      | S.T. Bolt 5/16-18 X 5/8 . . . . .   | 1         |  |
| 28   | 105900      | Brake Rod-Rear . . . . .  | 1         |  |
| 29   | 105886      | Brake Rod-Front . . . . .   | 1         |  |
| 30   | 920248      | Nylon Washer . . . . .  | 3         |  |
| 31   | 932016      | Cotter Pin 1/8 X 3/4 . . . . .  | 1         |  |
| 32   | 915663      | E.S. Nut 3/8-16 . . . . .   | 1         |  |
| 33   | 933504      | Hairpin Cotter . . . . .  | 2         |  |
| 34   | 106451      | Parking Brake Lever . . . . .   | 1         |  |
| 35   | 6820        | Grip . . . . .  | 1         |  |
| 36   | 102025      | Spacer . . . . .  | 1         |  |
| 37   | 908037      | Bolt 3/8-16 X 1 3/4 . . . . .   | 1         |  |
| 38   | 920009      | Washer 3/8 SAE . . . . .  | 1         |  |
| 39   | 102809      | Special Nut . . . . .   | 1         |  |
| 40   | 9111        | Spring-Brake Return . . . . .   | 1         |  |
| 41   | 103628      | Spring-Parking Brake Return . . . . .                                       | 1         |  |
| 42   | 7451        | Idler Pulley . . . . .  | 1         |  |
| 43   | 106193      | Special Bolt 3/8-16 X 1 1/2 . . . . .                                       | 1         |  |
| 44   | 915113      | Eslok Nut 3/8-16 . . . . .  | 1         |  |
| 45   | 106265      | Switch Actuator . . . . .   | 1         |  |
| 46   | 908002      | Bolt 1/4-20 X 5/8 . . . . .   | 1         |  |
| 47   | 915112      | Eslok Nut 1/4-20 . . . . .  | 1         |  |
| 48   | 1014        | Spring-Clutch Return $\Rightarrow$ of 108035 leaf length in 200mm . . . . . | 1         |  |
| 49   | 920015      | Washer 3/4 SAE C-161 Twin Only . . . . .                                    | 1         |  |



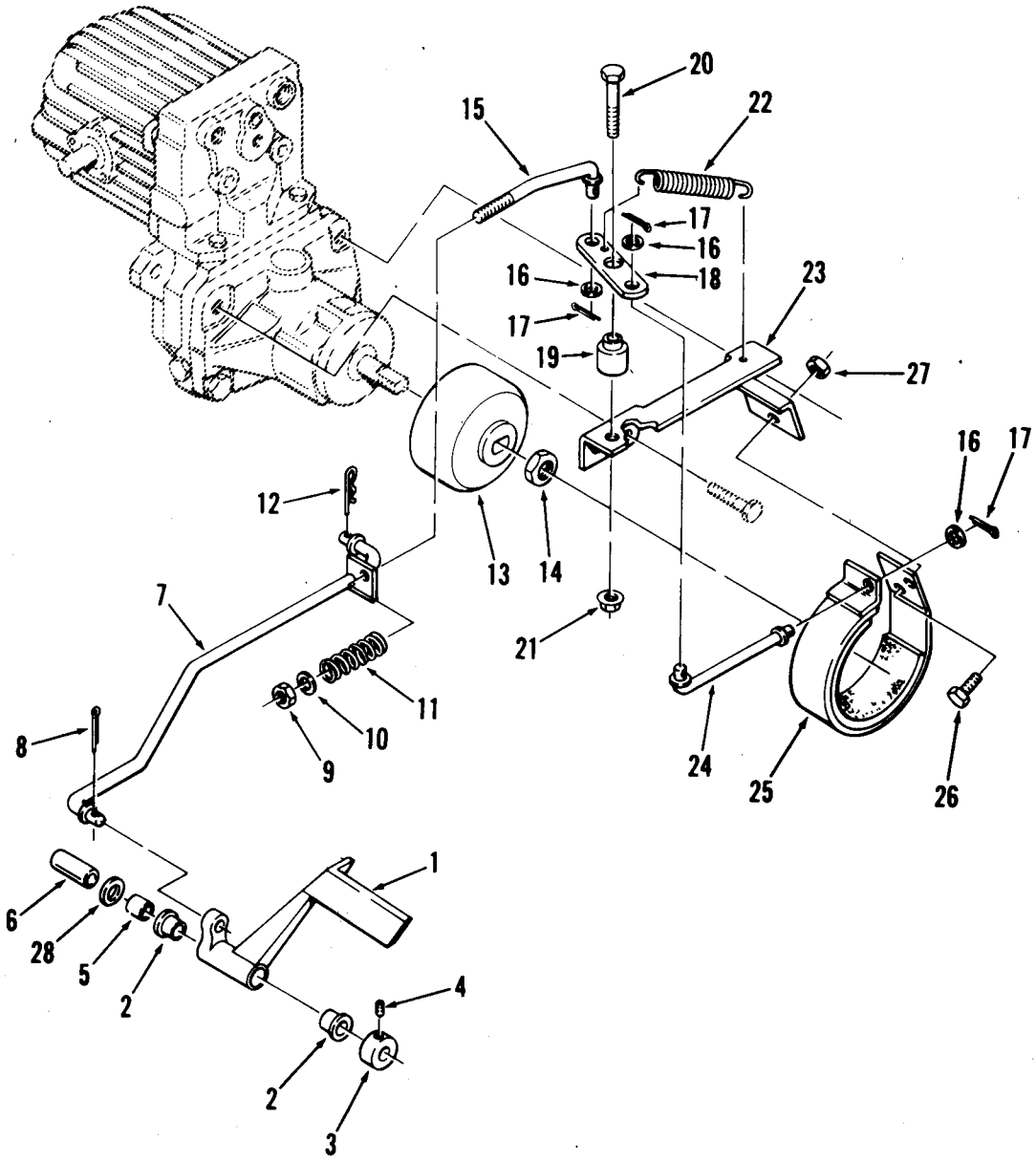
0608

Figure 6-2

Clutch, Brake and Speed Control Linkage



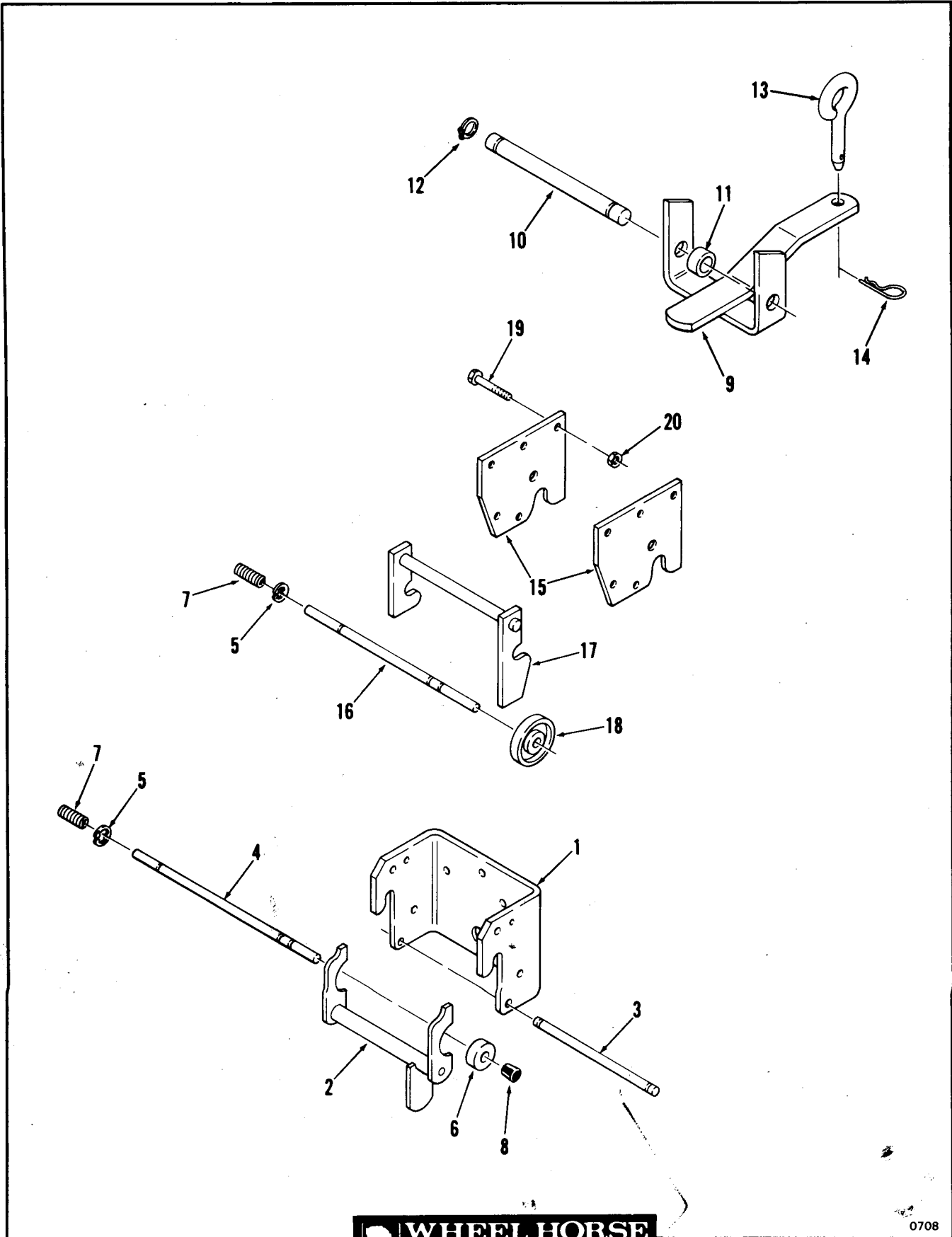
| Item  | Part Number | Description                              | Automatic |   |
|---|-------------|--|-----------|---|
|   |             |  | 8-Speed   |   |
| <b>Figure 6-2<br/>CLUTCH, BRAKE AND SPEED CONTROL LINKAGE</b> |             |  |           |   |
| 1   | 106364      | Motion Control Lever . . . . .           |           | 1 |
| 2   | 6129        | Knob-Motion Control Linkage . . . . .    |           | 1 |
| 3   | 106319      | Detent-Motion Control Lever . . . . .    |           | 1 |
| 4   | 908015      | Bolt 5/16-18 X 1/2 . . . . .             |           | 2 |
| 5   | 915112      | Eslok Nut 5/16-18 . . . . .              |           | 2 |
| 6   | 7603        | Friction Adjusting Collar . . . . .      |           | 1 |
| 7   | 915241      | Jam Nut 3/4-10 . . . . .                 |           | 1 |
| 8   | 7601        | Pivot Collar . . . . .                   |           | 1 |
| 9   | 920011      | Washer 1/2 SAE . . . . .                 |           | 2 |
| 10  | 7602        | Friction Spring . . . . .                |           | 1 |
| 11  | 7600        | Friction Cone . . . . .                  |           | 1 |
| 12  | 7599        | Friction Collar . . . . .                |           | 1 |
| 13  | 106316      | Pivot Rod-Motion Control Lever . . . . . |           | 1 |
| 14  | 926694      | S.T. Bolt 5/16-18 X 5/8 . . . . .        |           | 1 |
| 15  | 937007      | Woodruff Key 1/8 X 1/2 . . . . .         |           | 1 |
| 16  | 100656      | Cam Bearing . . . . .                    |           | 1 |
| 17  | 5701        | E-Ring 1/2 . . . . .                     |           | 3 |
| 18  | 6127        | Cam Block Pin . . . . .                  |           | 1 |
| 19  | 915113      | Eslok Nut 3/8-16 . . . . .               |           | 1 |
| 20  | 106325      | Parking Brake Lever . . . . .            |           | 1 |
| 21  | 100489      | Grip-Parking Brake Lever . . . . .       |           | 1 |
| 22  | 908036      | Bolt 3/8-16 X 1 1/2 . . . . .            |           | 1 |
| 23  | 102025      | Spacer . . . . .                         |           | 1 |
| 24  | 102809      | Special Flanged Nut . . . . .            |           | 1 |
| 25  | 1230        | Spring . . . . .                         |           | 2 |
| 26  | 106853      | Cam Plate . . . . .                      |           | 1 |
| 27  | 908035      | Bolt 3/8-16 X 1 1/4 . . . . .            |           | 1 |
| 28  | 920009      | Washer 3/8 SAE . . . . .                 |           | 2 |
| 29  | 915113      | Eslok Nut 3/8-16 . . . . .               |           | 1 |
| 30  | 106245      | Spacer . . . . .                         |           | 1 |
| 31  | 908005      | Bolt 1/4-20 X 1 . . . . .                |           | 1 |
| 32  | 915111      | Eslok Nut 1/4-20 . . . . .               |           | 1 |
| 33  | 106755      | Brake Rod-Front . . . . .                |           | 1 |
| 34  | 933503      | Hairpin Cotter . . . . .                 |           | 1 |
| 35  | 106369      | Shaft . . . . .                          |           | 1 |
| 36  | 920011      | Washer 1/2 SAE . . . . .                 |           | 1 |
| 37  | 9170        | Spring . . . . .                         |           | 1 |
| 38  | 908005      | Bolt 1/4-20 X 1 . . . . .                |           | 1 |
| 39  | 106535      | Clip . . . . .                           |           | 1 |
| 40  | 106368      | Pivot Rod . . . . .                      |           | 1 |
| 41  | 920009      | Washer 3/8 SAE . . . . .                 |           | 1 |
| 42  | 932001      | Cotter Pin 1/16 X 3/4 . . . . .          |           | 1 |
| 43  | 7434        | Idler Pulley . . . . .                   |           | 1 |
| 44  | 106450      | Spacer . . . . .                         |           | 1 |
| 45  | 911400      | Special Bolt 3/8-16 X 1 1/2 . . . . .    |           | 1 |
| 46  | 8722        | Knob . . . . .                           |           | 1 |
| 47  | 8693        | Knob . . . . .                           |           | 1 |
| 48  | 911747      | Screw #10-24 X 1 1/4 . . . . .           |           | 1 |
| 49  | 106360      | Handle . . . . .                         |           | 1 |
| 50  | 920011      | Washer 1/2 SAE . . . . .                 |           | 2 |
| 51  | 7879        | Bushing . . . . .                        |           | 1 |



0612

Figure 6-3 Clutch, Brake and Speed Control Linkage

| Item   | Part Number | Description   | Automatic |   |
|--|-------------|---|-----------|---|
|  |             |   | 8-Speed   |   |
| <b>Figure 6-3</b>                              |             |   |           |   |
| <b>CLUTCH, BRAKE AND SPEED CONTROL LINKAGE</b> |             |   |           |   |
| 1  | 102747      | Brake/Return To Neutral Pedal .....                 |           | 1 |
| 2  | 6254        | Bushing .....                                       |           | 2 |
| 3  | 1085        | Collar .....  |           | 1 |
| 4  | 909848      | Set Screw 1/4-20 X 1/4 Cup Pt .....                 |           | 1 |
| 5  | 4064        | Spacer C-121 Only .....                             |           | 1 |
| 6  | 979207      | Spacer .....  |           | 1 |
| 7  | 106755      | Brake Rod-Front C-121 Only .....                    |           | 1 |
| 7  | 106843      | Brake Rod-Front C-161, C-141, C-161 Twin Only ..... |           | 1 |
| 8  | 932017      | Cotter Pin 1/8 X 1 .....                            |           | 1 |
| 9  | 915113      | Eslok Nut 3/8-16 .....                              |           | 1 |
| 10   | 920009      | Washer 3/8 SAE .....                                |           | 1 |
| 11   | 104841      | Spring .....  |           | 1 |
| 12   | 933503      | Hairpin Cotter .....                                |           | 1 |
| 13   | 106328      | Brake Drum .....                                    |           | 1 |
| 14   | 915638      | E.S. Nut 9/16-18 Thin .....                         |           | 1 |
| 15   | 106330      | Brake Rod-Rear .....                                |           | 1 |
| 16   | 920009      | Washer 3/8 SAE .....                                |           | 3 |
| 17   | 932016      | Cotter Pin 1/8 X 3/4 .....                          |           | 3 |
| 18   | 106320      | Lever .....   |           | 1 |
| 19   | 9475        | Spacer .....  |           | 1 |
| 20   | 908036      | Bolt 3/8-16 X 1 1/2 .....                           |           | 1 |
| 21   | 915113      | Eslok Nut 3/8-16 .....                              |           | 1 |
| 22   | 6949        | Spring .....  |           | 1 |
| 23   | 106362      | Brake Bracket .....                                 |           | 1 |
| 24   | 106321      | Brake Rod .....                                     |           | 1 |
| 25   | 9593        | Brake Band .....                                    |           | 1 |
| 26   | 908002      | Bolt 1/4-20 X 5/8 .....                             |           | 2 |
| 27   | 915111      | Nut 1/4-20 .....                                    |           | 2 |
| 28   | 920015      | Washer 3/4 SAE C-161 Twin Only .....                |           | 1 |

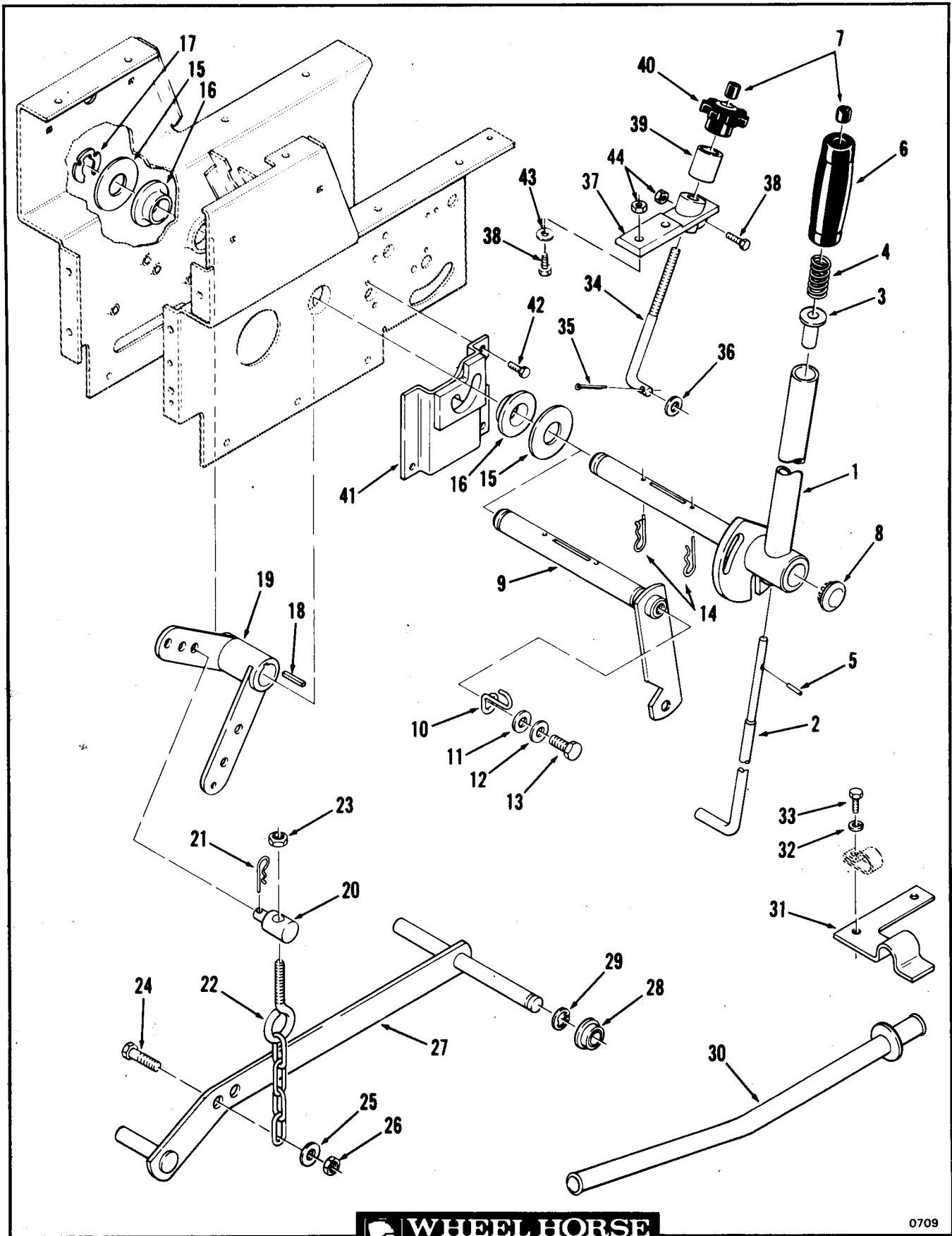


**WHEEL HORSE**  
lawn & garden tractors

0708

Figure 7-1 Hitches

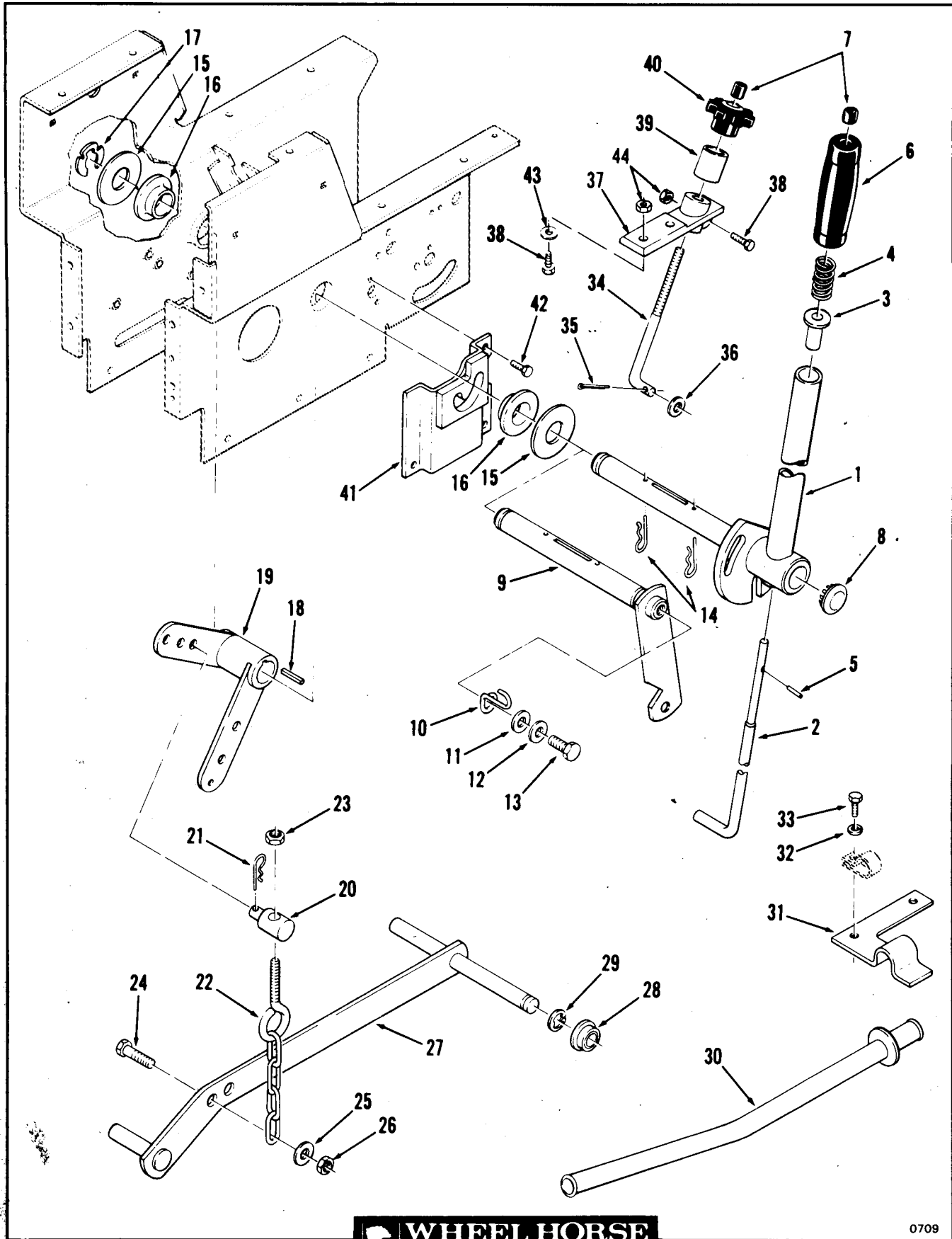
| Item | Part Number | Description                   | Automatic |   |
|------|-------------|-------------------------------|-----------|---|
|      |             |                               | 8-Speed   |   |
|      |             | <b>Figure 7-1<br/>HITCHES</b> |           |   |
| 1    | 101711      | Front Hitch Housing.....      | 1         | 1 |
| 2    | 105859      | Latch-Front Hitch.....        | 1         | 1 |
| 3    | 101750      | Rod.....                      | 1         | 1 |
| 4    | 101751      | Rod-Front Hitch Lock.....     | 1         | 1 |
| 5    | 105797      | E-Ring.....                   | 8         | 8 |
| 6    | 101707      | Lock.....                     | 1         | 1 |
| * 7  | 8616        | Spring.....                   | 2         | 2 |
| 8    | 105316      | Cap-Lock Rod.....             | 2         | 2 |
| 9    | 1644        | Drawbar Hitch.....            | 1         | 1 |
| * 10 | 105269      | Shaft-Drawbar Hitch.....      | 1         | 1 |
| 11   | 979120      | Spacer.....                   | 2         | 2 |
| 12   | 5816        | E-Ring.....                   | 2         | 2 |
| 13   | 1813        | Hitch Pin.....                | 1         | 1 |
| 14   | 933505      | Hairpin Cotter.....           | 1         | 1 |
| 15   | 102644      | Mid Hitch Plate.....          | 2         | 2 |
| * 16 | 102672      | Rod-Mid Hitch Lock.....       | 1         | 1 |
| 17   | 102639      | Latch-Mid Hitch.....          | 1         | 1 |
| 18   | 101017      | Lock.....                     | 1         | 1 |
| 19   | 908034      | Bolt 3/8-16 X 1.....          | 4         | 4 |
| 20   | 915113      | Eslok Nut 3/8-16.....         | 4         | 4 |



0709

Figure 7-2 Lift Linkage

| Item                               | Part Number | Description  | Automatic |   |
|------------------------------------|-------------|--|-----------|---|
|                                    |             |  | 8-Speed   |   |
| <b>Figure 7-2<br/>LIFT LINKAGE</b> |             |  |           |   |
| 1                                  | 107391      | Lift Lever.....  | 1         |   |
| 1                                  | 107391      | Lift Lever C-121 Only.....                             |           | 1 |
| 2                                  | 106257      | Latch Rod.....   | 1         |   |
| 2                                  | 106257      | Latch Rod C-121 Only.....                              |           | 1 |
| 3                                  | 8130        | Spring Retainer.....                                   | 1         |   |
| 3                                  | 8130        | Spring Retainer C-121 Only.....                        |           | 1 |
| 4                                  | 3624        | Spring.....  | 1         |   |
| 4                                  | 3624        | Spring C-121 Only.....                                 |           | 1 |
| 5                                  | 933148      | Spirol Pin 1/8 X 1/2.....                              | 1         |   |
| 5                                  | 933148      | Spirol Pin 1/8 X 1/2 C-121 Only.....                   |           | 1 |
| 6                                  | 6542        | Grip-Lift Lever.....                                   | 1         |   |
| 6                                  | 6542        | Grip-Lift Lever C-121 Only.....                        |           | 1 |
| 7                                  | 105316      | Rod Cap.....   | 2         |   |
| 7                                  | 105316      | Rod Cap C-121 Only.....                                |           | 2 |
| 8                                  | 4944        | Plug Button.....                                       | 1         |   |
| 8                                  | 4944        | Plug Button C-121 Only.....                            |           | 1 |
| 9                                  | 106241      | Lift Lever C-141, C-161, C-161 Twin Only.....          |           | 1 |
| 10                                 | 106248      | Indicator C-141, C-161, C-161 Twin Only.....           |           | 1 |
| 11                                 | 920008      | Washer 5/16 SAE C-141, C-161, C-161 Twin Only.....     |           | 1 |
| 12                                 | 920082      | Lockwasher 5/16 C-141, C-161, C-161 Twin Only.....     |           | 1 |
| 13                                 | 910865      | Screw 5/16-18 X 5/8 C-141, C-161, C-161 Twin Only..... |           | 1 |
| 14                                 | 933507      | Hairpin Cotter.....                                    | 2         |   |
| 15                                 | 920017      | Washer 1 in SAE.....                                   | 2         |   |
| 16                                 | 106269      | Bushing.....   | 2         |   |
| 17                                 | 106414      | Retainer.....  | 1         |   |
| 18                                 | 1121        | Key 1/4 Sq X 1 3/16.....                               | 1         |   |
| 19                                 | 106218      | Bellcrank.....   | 1         |   |
| 20                                 | 6739        | Trunnion.....  | 1         |   |
| 21                                 | 933504      | Hairpin Cotter.....                                    | 1         |   |
| 22                                 | 106522      | Lift Chain.....  | 1         |   |
| 23                                 | 915113      | Eslok Nut 3/8-16.....                                  | 1         |   |
| 24                                 | 908019      | Bolt 5/16-18 X 1.....                                  | 1         |   |



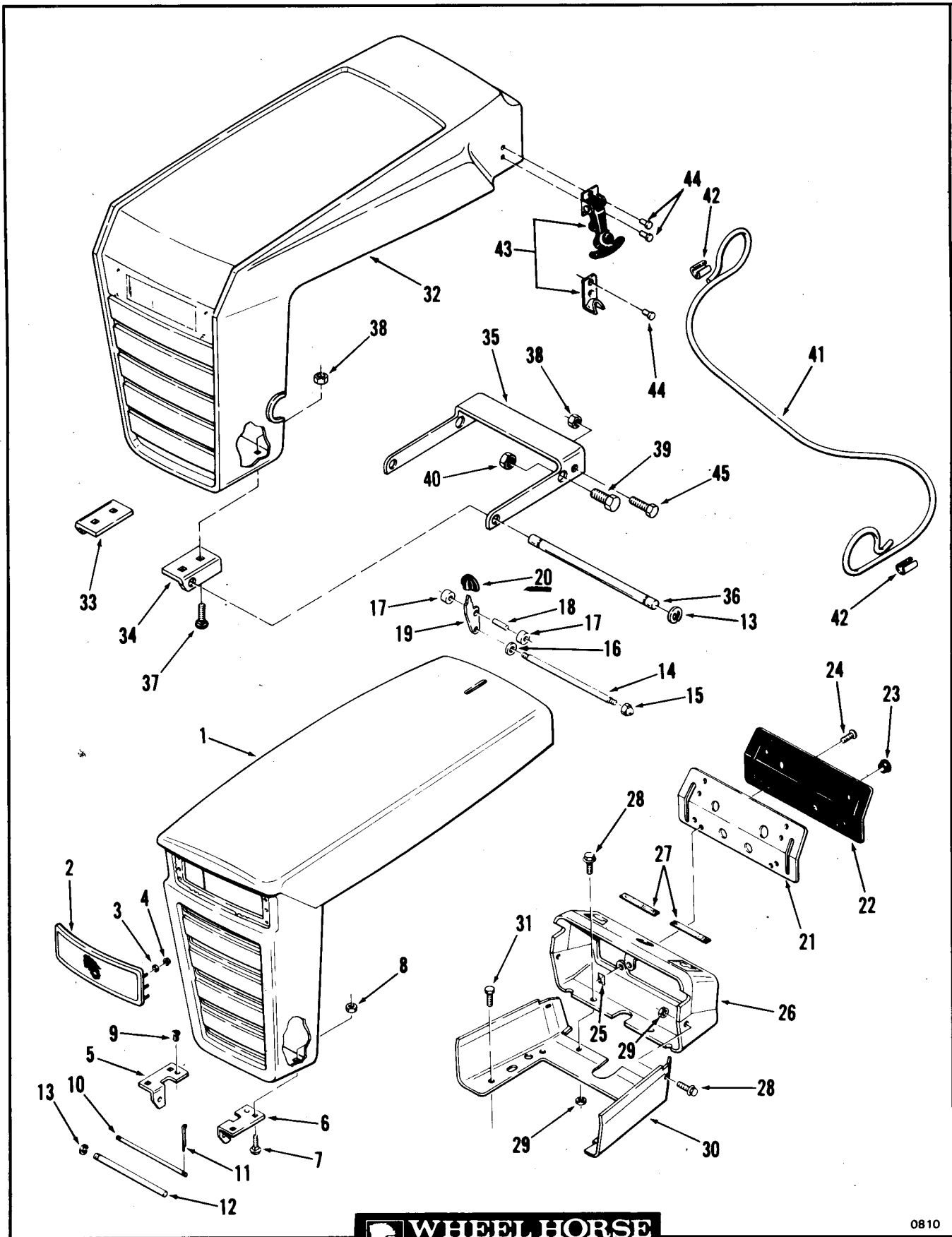
**WHEEL HORSE**  
lawn & garden tractors

0709

Figure 7-2 Lift Linkage



| Item                         | Part Number | Description                              | Automatic |   |
|------------------------------|-------------|--|-----------|---|
|                              |             |  | 8-Speed   |   |
| <b>Figure 7-2</b>            |             |  |           |   |
| <b>LIFT LINKAGE (Cont'd)</b> |             |  |           |   |
| 25                           | 920008      | Washer 5/16 .....                        | 1         | 1 |
| 26                           | 915112      | Eslok Nut 5/16-18 .....                  | 1         | 1 |
| 27                           | 102373      | Lift Bar .....                           | 1         | 1 |
| 28                           | 6229        | Bearing .....                            | 1         | 1 |
| 29                           | 5701        | E-Ring .....                             | 1         | 1 |
| 30                           | 105845      | Tube-Rear Lift Cable .....               | 1         | 1 |
| 31                           | 105528      | Clamp-Tube .....                         | 1         | 1 |
| 32                           | 920083      | Lockwasher 3/8 .....                     | 2         | 2 |
| 33                           | 908032      | Bolt 3/8-16 X 3/4 .....                  | 2         | 2 |
| 34                           | 106354      | Rod-Height Control .....                 | 1         |   |
| 34                           | 106354      | Rod-Height Control C-121 Only .....      |           | 1 |
| 35                           | 932016      | Cotter Pin 1/8 X 3/4 .....               | 1         |   |
| 35                           | 932016      | Cotter Pin 1/8 X 3/4 C-121 Only .....    |           | 1 |
| 36                           | 920228      | Special Washer .....                     | 1         |   |
| 36                           | 920228      | Special Washer C-121 Only .....          |           | 1 |
| 37                           | 106345      | Height Control Casting .....             | 1         |   |
| 37                           | 106345      | Height Control Casting C-121 Only .....  |           | 1 |
| 38                           | 908019      | Bolt 5/16-18 X 3/4 .....                 | 3         |   |
| 38                           | 908019      | Bolt 5/16-18 X 3/4 C-121 Only .....      |           | 3 |
| 39                           | 106258      | Sleeve .....                             | 1         |   |
| 39                           | 106258      | Sleeve C-121 Only .....                  |           | 1 |
| 40                           | 5280        | Knob-Height Control .....                | 1         |   |
| 40                           | 5280        | Knob-Height Control C-121 Only .....     |           | 1 |
| 41                           | 106411      | Latch Bracket .....                      | 1         |   |
| 41                           | 106411      | Latch Bracket C-121 Only .....           |           | 1 |
| 42                           | 926694      | S.T. Bolt 5/16-18 X 5/8 .....            | 1         |   |
| 42                           | 926694      | S.T. Bolt 5/16-18 X 5/8 C-121 Only ..... |           | 1 |
| 43                           | 920008      | Washer 5/16 SAE .....                    | 2         |   |
| 43                           | 920008      | Washer 5/16 SAE C-121 Only .....         |           | 2 |
| 44                           | 915112      | Eslok Nut 5/16-18 .....                  | 3         |   |
| 44                           | 915112      | Eslok Nut 5/16-18 C-121 Only .....       |           | 3 |

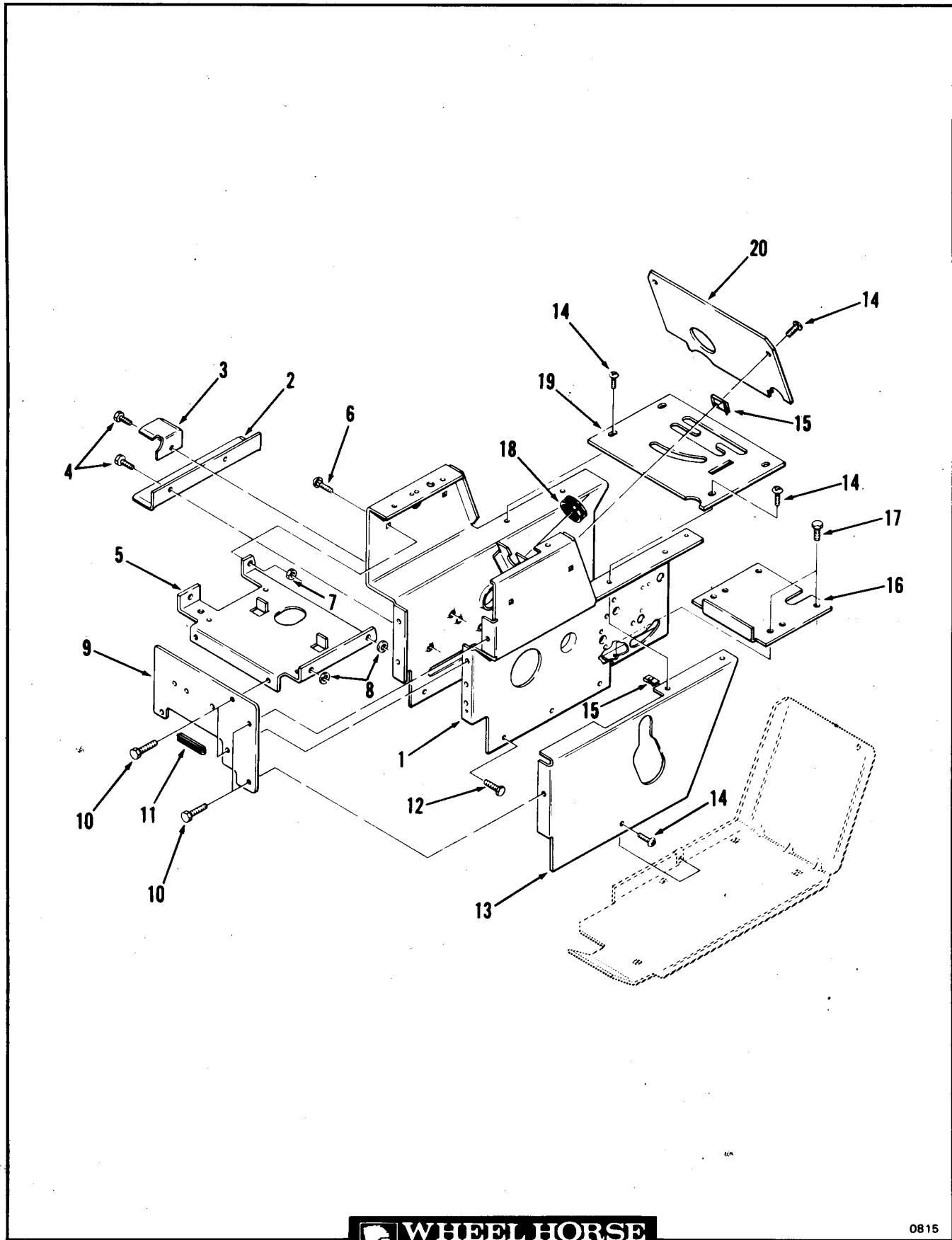


0810

Figure 8-1 Sheet Metal and Covers

| Item                          | Part Number | Description   | Automatic |   |
|-------------------------------|-------------|---|-----------|---|
|                               |             |   | 8-Speed   |   |
| <b>Figure 8-1</b>             |             |   |           |   |
| <b>SHEET METAL AND COVERS</b> |             |   |           |   |
| 1                             | 9699        | Hood C-161, C-141, C-121, C-101, C-81 Only                        | 1         | 1 |
| 2                             | 7416        | Escutcheon Plate C-81, C-101 Only                                 | 1         |   |
| 3                             | 100646      | Rubber Washer C-81, C-101 Only                                    | 4         |   |
| 4                             | 7721        | Push Nut C-81, C-101 Only   | 4         |   |
| 5                             | 101732      | Pivot Bracket-Hood RH C-161, C-141, C-121, C-101, C-81 Only       | 1         | 1 |
| 6                             | 101733      | Pivot Bracket-Hood LH C-161, C-141, C-121, C-101, C-81 Only       | 1         | 1 |
| 7                             | 900037      | Carriage Bolt 5/16-18 X 3/4 C-161, C-141, C-121, C-101, C-81 Only | 4         | 4 |
| 8                             | 915112      | Eslok Nut 5/16-18 C-161, C-141, C-121, C-101, C-81 Only           | 4         | 4 |
| 9                             | 5667        | Rubber Bumper C-161, C-141, C-121, C-101, C-81 Only               | 2         | 2 |
| 10                            | 101850      | Rod-Hood Stop C-161, C-141, C-121, C-101, C-81 Only               | 1         | 1 |
| 11                            | 932000      | Cotter Pin 1/16 X 1/2 C-161, C-141, C-121, C-101, C-81 Only       | 2         | 2 |
| 12                            | 101710      | Hood Pivot Rod C-161, C-141, C-121, C-101, C-81 Only              | 1         | 1 |
| 13                            | 105797      | E-Ring  | 2         | 2 |
| 14                            | 5522        | Rod-Hood Latch C-161, C-141, C-121, C-101, C-81 Only              | 1         | 1 |
| 15                            | 915932      | Hi-Crown Nut #10-24 C-161, C-141, C-121, C-101, C-81 Only         | 2         | 2 |
| 16                            | 5466        | Speed Nut 1/4 C-161, C-141, C-121, C-101, C-81 Only               | 2         | 2 |
| 17                            | 5468        | Roller C-161, C-141, C-121, C-101, C-81 Only                      | 2         | 2 |
| 18                            | 933182      | Spirol Pin 3/16 X 5/8 C-161, C-141, C-121, C-101, C-81 Only       | 1         | 1 |
| 19                            | 5467        | Latch Lever C-161, C-141, C-121, C-101, C-81 Only                 | 1         | 1 |
| 20                            | 5469        | Knob C-161, C-141, C-121, C-101, C-81 Only                        | 1         | 1 |
| 21                            | 101841      | Backing Plate   | 1         | 1 |
| 22                            | 106134      | Control Panel   | 1         | 1 |
| 23                            | 104868      | Plug Button C-81, C-101 Only                                      | 1         |   |
| 24                            | 102168      | Screw #10-16  | 4         | 4 |
| 25                            | 5442        | Speed Nut   | 4         | 4 |
| 26                            | 106442      | Housing-Control Panel   | 1         | 1 |
| 27                            | 106772      | Trim  | 2         | 2 |
| 28                            | 960152      | Whizlock Bolt 1/4-20 X 5/8  | 4         | 4 |
| 29                            | 915111      | Eslok Nut 1/4-20  | 4         | 4 |
| 30                            | 106443      | Control Extension C-161, C-141, C-121, C-101, C-81 Only           | 1         | 1 |
| 30                            | 106929      | Control Extension C-161 Twin Only                                 | 1         | 1 |
| 31                            | 926694      | S.T. Bolt 5/16-18 X 5/8   | 4         | 4 |
| 32                            | 106828      | Hood C-161 Twin Only  | 1         | 1 |
| 33                            | 106782      | Pivot Bracket-Hood RH C-161 Twin Only                             | 1         | 1 |
| 34                            | 106783      | Pivot Bracket-Hood LH C-161 Twin Only                             | 1         | 1 |
| 35                            | 106802      | Bracket-Hood Support C-161 Twin Only                              | 1         | 1 |
| 36                            | 107458      | Hood Pivot Rod C-161 Twin Only                                    | 1         | 1 |
| 37                            | 900015      | Carriage Bolt 1/4-20 X 3/4 C-161 Twin Only                        | 4         | 4 |
| 38                            | 915111      | Eslok Nut 1/4-20 C-161 Twin Only                                  | 6         | 6 |
| 39                            | 908032      | Bolt 3/8-16 X 3/4 C-161 Twin Only                                 | 2         | 2 |
| 40                            | 915113      | Eslok Nut 3/8-16 C-161 Twin Only                                  | 2         | 2 |
| 41                            | 106795      | Cable C-161 Twin Only   | 1         | 1 |
| 42                            | 106779      | Sleeve C-161 Twin Only  | 2         | 2 |
| 43                            | 106825      | Hood Latch and Clip C-161 Twin Only                               | 2         | 2 |
| 44                            | 923786*     | Pop Rivet C-161 Twin Only   | 6         | 6 |
| 45                            | 908003      | Bolt 1/4-20 X 3/4 C-161 Twin Only                                 | 2         | 2 |

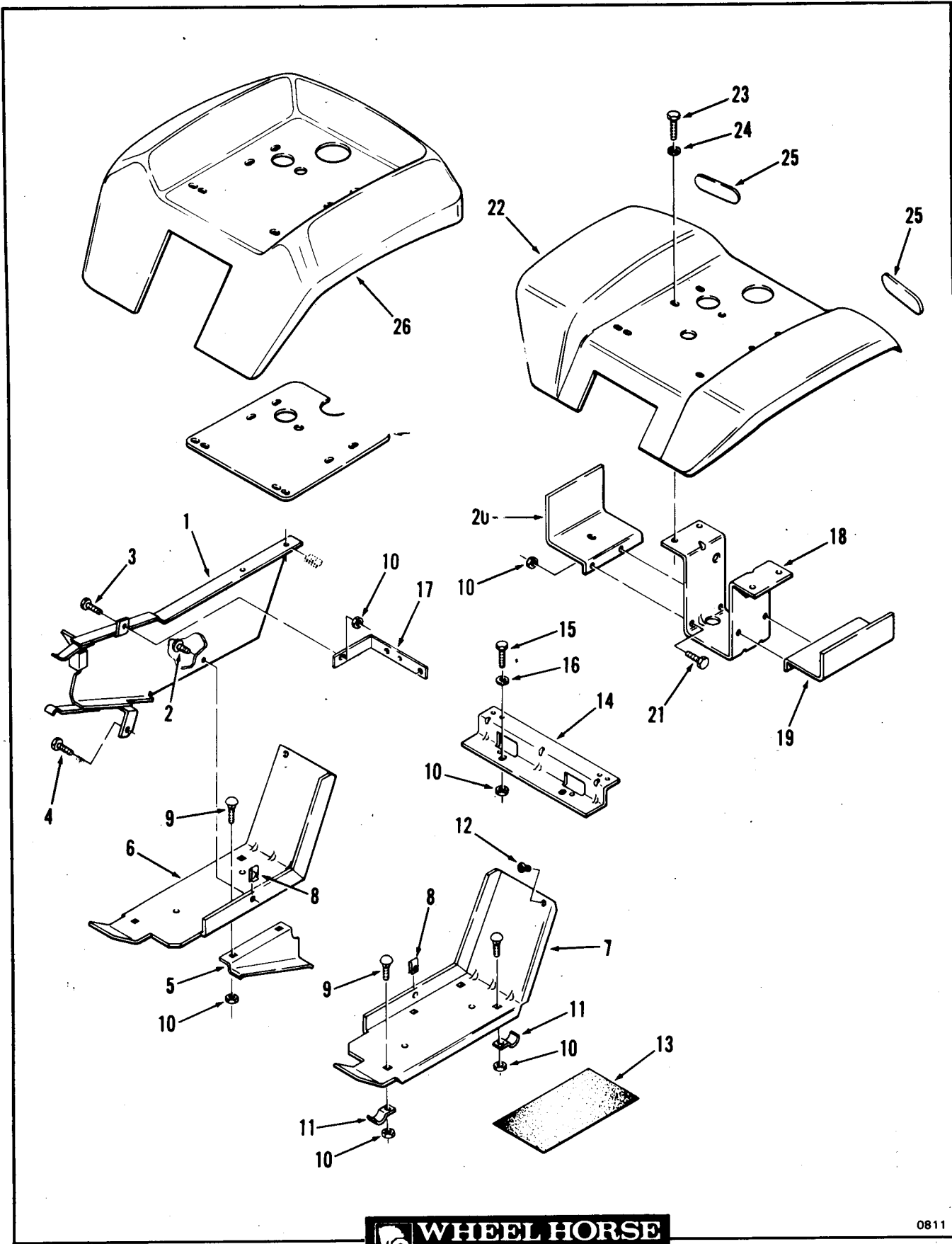
\*Some Models May Require Pop Rivet 923787 Depending On The Hood Thickness.



0815

Figure 8-2 Sheet Metal and Covers

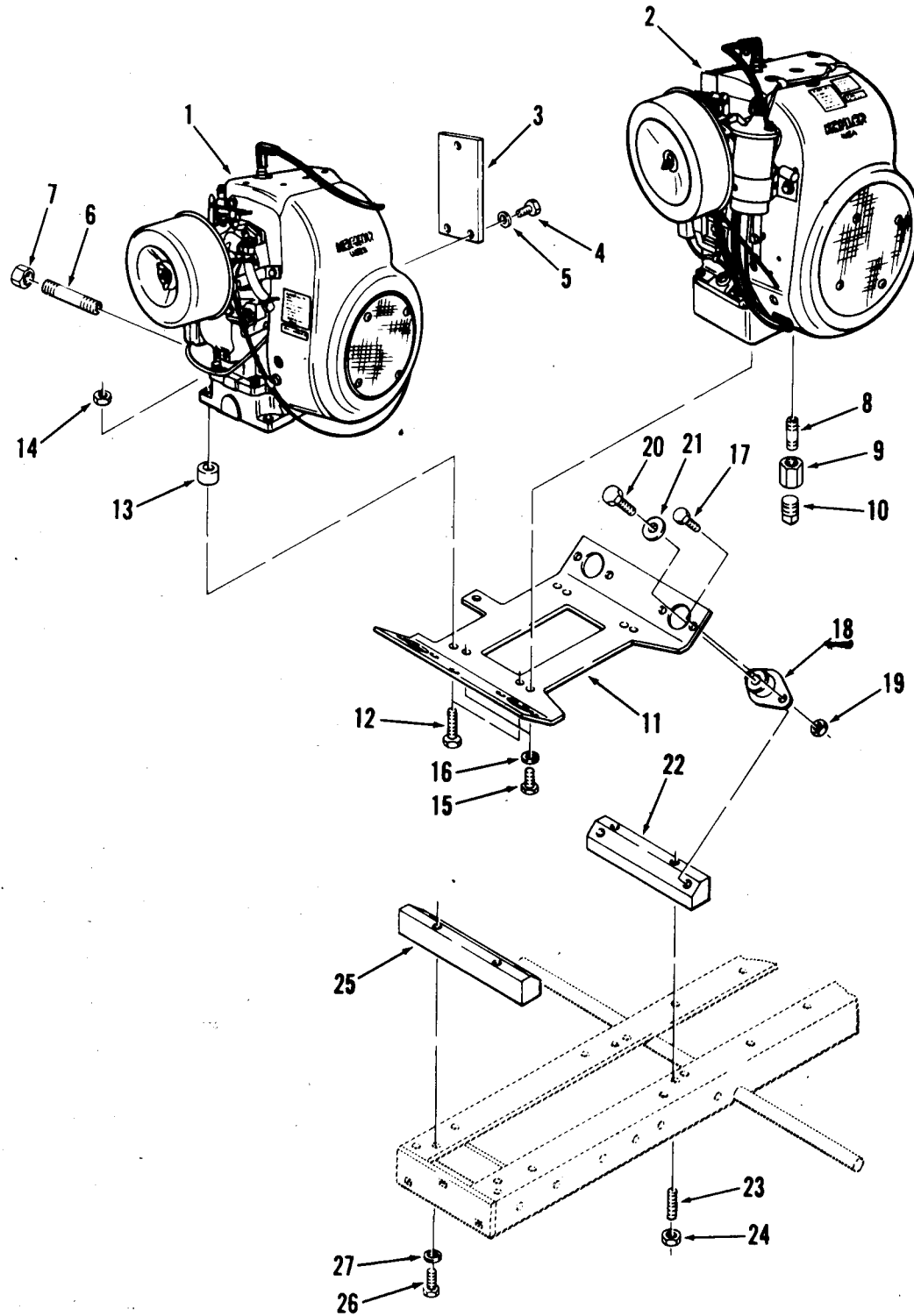
| Item | Part Number | Description   | Automatic |   |
|------|-------------|---|-----------|---|
|      |             |   | 8-Speed   |   |
|      |             | <b>Figure 8-2<br/>SHEET METAL AND COVERS</b>                      |           |   |
| 1    | 106213      | Hoodstand . . . . .   | 1         | 1 |
| 2    | 106209      | Belt Support Bracket . . . . .                                    | 1         | 1 |
| 3    | 106261      | Belt Bracket . . . . .  | 1         |   |
| 3    | 106253      | Belt Bracket . . . . .  |           | 1 |
| 4    | 926694      | S.T. Bolt 5/16-18 X 5/8 . . . . .                                 | 3         | 4 |
| 5    | 107007      | Battery Support Bracket . . . . .                                 | 1         | 1 |
| 6    | 908035      | Carriage Bolt 5/16-18 X 1/2 . . . . .                             | 4         | 4 |
| 7    | 915112      | Eslok Nut 5/16-18 . . . . .                                       | 4         | 4 |
| 8    | 920009      | Washer 5/16 SAE . . . . .   | 2         | 2 |
| 9    | 106342      | Front Plate . . . . .   | 1         | 1 |
| 10   | 926694      | S.T. Bolt 5/16-18 X 5/8 . . . . .                                 | 6         | 6 |
| 11   | 106454      | Edge Trim . . . . .   | 1         | 1 |
| 12   | 926696      | S.T. Bolt 5/16-18 X 7/8 . . . . .                                 | 6         | 6 |
| 13   | 106773      | Side Cover LH . . . . .   | 1         |   |
| 13   | 106744      | Side Cover LH C-141, C-161, C-161 Twin Only . . . . .             |           | 1 |
| 13   | 106773      | Side Cover LH C-121 Only . . . . .                                |           | 1 |
| 14   | 910837      | Screw 1/4-20 X 5/8 . . . . .                                      | 7         | 7 |
| 15   | 106370      | Speed Nut . . . . .   | 6         | 6 |
| 16   | 106250      | Dust Cover . . . . .  | 1         | 1 |
| 17   | 926694      | S.T. Bolt 5/16-18 X 5/8 . . . . .                                 | 4         | 4 |
| 18   | 104248      | Grommet . . . . .   | 1         | 1 |
| 19   | 106348      | Shift Cover Plate C-161, C-141, C-121, C-101, C-81 Only . . . . . | 1         |   |
| 19   | 106831      | Shift Cover Plate C-161 Twin Only . . . . .                       | 1         |   |
| 19   | 106347      | Shift Cover Plate C-161, C-141, C-121 Only . . . . .              |           | 1 |
| 19   | 106830      | Shift Cover Plate C-161 Twin Only . . . . .                       |           | 1 |
| 20   | 106613      | Ammeter Plate . . . . .   | 1         |   |
| 20   | 106134      | Ammeter Plate C-121 Only . . . . .                                |           | 1 |
| 20   | 106614      | Ammeter Plate C-141, C-161, C-161 Twin Only . . . . .             |           | 1 |



0811

Figure 8-3 Sheet Metal and Covers

| Item   | Part Number | Description   | Automatic |    |
|--|-------------|---|-----------|----|
|  |             |   | 8-Speed   |    |
| <b>Figure 8-3<br/>SHEET METAL AND COVERS</b> |             |   |           |    |
| 1  | 106943      | Belt Guard C-161, C-141, C-121, C-101, C-81 Only .....              | 1         |    |
| 1  | 106808      | Belt Guard C-161 Twin Only .....                                    | 1         |    |
| 1  | 106944      | Belt Guard C-161, C-141, C-121 Only .....                           |           | 1  |
| 1  | 106807      | Belt Guard C-161 Twin Only .....                                    |           | 1  |
| 2  | 910837      | Screw 1/4-20 X 5/8 .....  | 1         | 1  |
| 3  | 908017      | Bolt 5/16-18 X 3/4 .....  | 1         | 1  |
| 4  | 926694      | S.T. Bolt 5/16-18 X 5/8 .....                                       | 1         | 1  |
| 5  | 106352      | Lower Belt Guard .....  | 1         |    |
| 6  | 106222      | Foot Rest RH .....  | 1         | 1  |
| 7  | 106223      | Foot Rest LH .....  | 1         | 1  |
| 8  | 106730      | Speed Nut .....   | 2         | 2  |
| 9  | 900036      | Carriage Bolt 5/16-18 X 5/8 .....                                   | 6         | 4  |
| 10   | 915112      | Eslok Nut 5/16-18 .....   | 13        | 11 |
| 11   | 7456        | Clamp .....   | 4         | 4  |
| 12   | 103887      | Rubber Bumper .....   | 2         | 2  |
| 13   | 106264      | Footrest Pad .....  | 2         | 2  |
| 14   | 106340      | Fender Bracket-Front C-161, C-141, C-121, C-101, C-81 Only .....    | 1         | 1  |
| 14   | 107603      | Fender Bracket-Front C-161 Twin Only .....                          | 1         | 1  |
| 15   | 908017      | Bolt 5/16-18 X 3/4 .....  | 2         | 2  |
| 16   | 920008      | Washer 5/16 SAE .....   | 2         | 2  |
| 17   | 106344      | Support Bracket-Belt Guard C-161, C-141, C-121, C-101, C-81 Only .. | 1         | 1  |
| 17   | 106775      | Support Bracket-Belt Guard C-161 Twin Only .....                    | 1         | 1  |
| 18   | 106238      | Fender Support Bracket .....  | 1         | 1  |
| 19   | 106237      | Fuel Tank Support LH .....  | 1         | 1  |
| 20   | 106236      | Fuel Tank Support RH .....  | 1         | 1  |
| 21   | 908016      | Bolt 5/16-18 X 5/8 .....  | 4         | 4  |
| 22   | 106240      | Fender C-161, C-141, C-121, C-101, C-81 Only .....                  | 1         | 1  |
| 23   | 926696      | S.T. Bolt 5/16-18 X 7/8 C-161, C-141, C-121, C-101, C-81 Only...    | 4         | 4  |
| 23   | 926698      | S.T. Bolt 5/16-18 X 1 1/8 C-161 Twin Only .....                     | 4         | 4  |
| 24   | 920008      | Washer 5/16 SAE .....   | 4         | 4  |
| 25   | 104737      | Reflector-Not Used On C-161, or C-161 Twin .....                    | 2         | 2  |
| 26   | 107404      | Fender C-161 Twin Only .....  | 1         | 1  |
| 27   | 106809      | Fender Support Plate C-161 Twin Only .....                          | 1         | 1  |



0905

Figure 9-1 Single Cylinder Engines



| Item  | Part Number | Description   | Automatic |     |
|---|-------------|---|-----------|-----|
|   |             |   | 8-Speed   |     |
| <p><b>Figure 9-1</b><br/><b>SINGLE CYLINDER ENGINES</b></p>   |             |   |           |     |
| 1   | 106436**    | Engine-8HP Kohler K-181S Spec Pf-30700D .....               | XXX       |     |
| 2   | 106437**    | Engine-10HP Kohler K-241AS Spec Pf-46766D .....             | XXX       |     |
| 2   | 106438**    | Engine-12HP Kohler K-301AS Spec Pf-47648D .....             | XXX       | XXX |
| 2   | 106439**    | Engine-14HP Kohler K-321AS Spec Pf-60322D .....             | XXX       | XXX |
| 2   | 106440**    | Engine-16HP Kohler K-341AS Spec Pf-71246A .....             | XXX       | XXX |
| 3   | 102371      | Coil Mounting Plate C-81 Only .....                         | 1         |     |
| 4   | 908034      | Bolt 3/8-16 X 1 C-81 Only .....                             | 2         |     |
| 5   | 920083      | Lockwasher 3/8 C-81 Only .....                              | 2         |     |
| 6   | 943347      | Pipe Nipple 1/2 X 4 C-81 Only .....                         | 1         |     |
| 7   | 106435      | Pipe Cap C-81 Only .....                                    | 1         |     |
| 8   | 943305*     | Pipe Nipple 1/4 X 7/8 C-161, C-141, C-121, C-101 Only ..... | 1         | 1   |
| 9   | 943002*     | Coupling 1/4 C-161, C-141, C-121, C-101 Only .....          | 1         | 1   |
| 10  | 943460*     | Pipe Plug 1/4 C-161, C-141, C-121, C-101 Only .....         | 1         | 1   |
| 11  | 106425      | Engine Cradle .....   | 1         | 1   |
| 12  | 908038      | Bolt 3/8-16 X 2 C-81 Only .....                             | 4         |     |
| 13  | 106340      | Spacer C-81 Only .....                                      | 4         |     |
| 14  | 915113      | Eslok Nut 3/8-16 C-81 Only .....                            | 4         |     |
| 15  | 908032      | Bolt 3/8-16 X 3/4 C-161, C-141, C-121, C-101 Only .....     | 4         | 4   |
| 16  | 920083      | Lockwasher 3/8 C-161, C-141, C-121, C-101 Only .....        | 4         | 4   |
| 17  | 908002      | Bolt 1/4-20 X 5/8 .....                                     | 8         | 8   |
| 18  | 106434      | Isolation Mount C-161, C-141, C-121, C-101 Only .....       | 4         | 4   |
| 18  | 106441      | Isolation Mount C-81 Only .....                             | 4         |     |
| 19  | 915111      | Eslok Nut 1/4-20 .....                                      | 8         | 8   |
| 20  | 908037      | Bolt 3/8-16 X 1 3/4 .....                                   | 4         | 4   |
| 21  | 920249      | Special Washer .....  | 4         | 4   |
| 22  | 106432      | Engine Mounting Block-Rear .....                            | 1         | 1   |
| 23  | 909885      | Allen HD Set Screw 3/8-16 X 1 3/4 .....                     | 2         | 2   |
| 24  | 915113      | Eslok Nut 3/8-16 .....                                      | 2         | 2   |
| 25  | 106431      | Engine Mounting Block-Front .....                           | 1         | 1   |
| 26  | 908034      | Bolt 3/8-16 X 1 .....                                       | 2         | 2   |
| 27  | 920083      | Lockwasher 3/8 .....  | 2         | 2   |
| <p>*Later Models Equipped With 1/4 X 2 1/2 Nipple 943314 and Pipe Cap 107379.</p>   |             |   |           |     |
| <p>**Engines and Engine Parts are available through the Engine Manufacturer's Distribution System, using the Model and Spec. Numbers Shown Above. WHEEL HORSE Part Numbers are Listed for Cross Reference Purposes Only; Engines and Engine Parts <u>Are Not Available</u> through the WHEEL HORSE Distribution System.</p> |             |   |           |     |



| Item | Part Number | Description   | Automatic |   |
|------|-------------|---|-----------|---|
|      |             |   | 8-Speed   |   |
|      |             | <b>Figure 9-2<br/>TWIN CYLINDER ENGINES</b>   |           |   |
| 1    | 106777**    | Engine-16HP Briggs & Stratton 401417  | 1         | 1 |
| 2    | 908046      | Bolt 7/16-14 X 1  | 1         | 1 |
| 3    | 920010      | Washer 7/16 SAE   | 2         | 2 |
| 4    | 915114      | Eslok Nut 7/16-14   | 1         | 1 |
| 5    | 106506      | Engine Cradle   | 1         | 1 |
| 6    | 908020      | Bolt 5/16-18 X 1 1/4  | 4         | 4 |
| 7    | 920008      | Washer 5/16 SAE   | 4         | 4 |
| 8    | 915112      | Eslok Nut 5/16-18   | 4         | 4 |
| 9    | 106434      | Isolation Mount   | 4         | 4 |
| 10   | 908002      | Bolt 1/4-20 X 5/8   | 8         | 8 |
| 11   | 915111      | Eslok Nut 1/4-20  | 8         | 8 |
| 12   | 908037      | Nylok Bolt 3/8-16 X 1 3/4   | 4         | 4 |
| 13   | 920249      | Special Washer  | 4         | 4 |
| 14   | 106504      | Engine Mounting Block-Front   | 1         | 1 |
| 15   | 106503      | Engine Mounting Block-Rear  | 1         | 1 |
| 16   | 908034      | Bolt 3/8-16 X 1   | 2         | 2 |
| 17   | 920083      | Lockwasher 3/8  | 2         | 2 |
| 18   | 943322      | Nipple 3/8 Closed   | 1         | 1 |
| 19   | 943023      | Elbow 90° 3/8   | 1         | 1 |
| 20   | 943512      | Nipple 3/8 X 7  | 1         | 1 |
| 21   | 5224        | Cap 3/8   | 1         | 1 |
| 22   | 909885      | Allen HD. Set Screw 3/8-16 X 1 3/4  | 2         | 2 |
| 23   | 915113      | Eslok Nut 3/8-16  | 2         | 2 |
| 24   | 106820      | Rear Heat Shield  | 1         | 1 |
| 25   | 106776      | Heat Shield Support Bracket   | 1         | 1 |
| 26   | 926487      | Washer HD. S.T. Bolt 1/4-20 X 5/8 (Type F)  | 3         | 3 |
| 27   | 908002      | Bolt 1/4-20 X 5/8   | 3         | 3 |
| 28   | 915111      | Eslok Nut 1/4-20  | 6         | 6 |
| 29   | 920007      | Washer 1/4 SAE  | 6         | 6 |
| 30   | 106817      | Muffler Shield  | 1         | 1 |
| 31   | 107382      | Heat Shield   | 1         | 1 |
| 32   | 106498      | Thrust Washer   | 1         | 1 |
| 33   | 106499      | Thrust Bearing  | 1         | 1 |
| 34   | 908020      | Bolt 5/16-18 X 1 1/4  | 2         | 2 |
|      |             | <b>**Engines and Engine Parts are available through the Engine Manufacturer's Distribution System, using the Model and Spec. Numbers Shown Above. WHEEL HORSE Part Numbers are Listed for Cross Reference Purposes Only; Engines and Engine Parts <u>Are Not Available</u> through the WHEEL HORSE Distribution System.</b> |           |   |

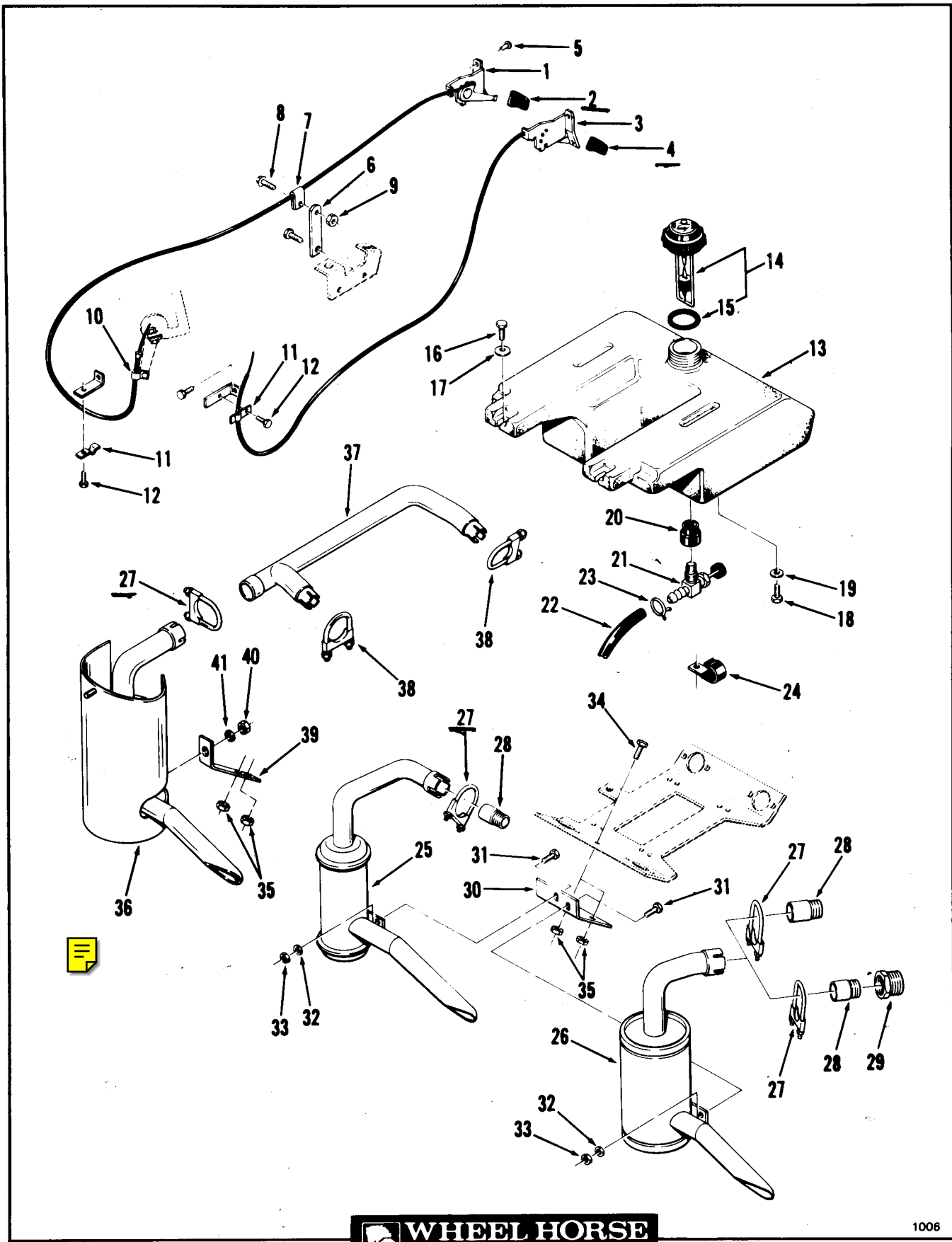


Figure 10-1 Fuel and Exhaust System

| Item   | Part Number | Description  | Automatic |   |
|--|-------------|--|-----------|---|
|  |             |  | 8-Speed   |   |
| <b>Figure 10-1<br/>FUEL AND EXHAUST SYSTEM</b> |             |  |           |   |
| 1  | 101834      | Throttle Control C-161, C-141, C-121, C-101 Only               | 1         | 1 |
| 1  | 101835      | Throttle Control C-81 Only                                     | 1         |   |
| 1  | 103519      | Throttle Control C-161 Twin Only                               | 1         | 1 |
| 2  | 102185      | Knob-Throttle Control  | 1         | 1 |
| 3  | 101837      | Choke Control C-161, C-141, C-121, C-101, C-81 Only = 106752   | 1         | 1 |
| 3  | 106508      | Choke Control C-161 Twin Only                                  | 1         | 1 |
| 4  | 102186      | Knob-Choke Control   | 1         | 1 |
| 5  | 923795      | Pop Rivet  | 4         | 4 |
| 6  | 100452      | Strap  | 1         | 1 |
| 7  | 100729      | Clamp  | 1         | 1 |
| 8  | 960151      | Whizlock Bolt 1/4-20 X 1/2                                     | 1         | 1 |
| 9  | 915111      | Esllok Nut   | 1         | 1 |
| 10   | 910792      | Clamp C-81 Only  | 1         |   |
| 11   | 105971      | Clamp  | 2         | 2 |
| 11   | 105971      | Clamp C-81 Only  | 1         |   |
| 12   | 911738      | Screw #10-24 X 3/8   | 2         | 2 |
| 12   | 911738      | Screw #10-24 X 3/8 C-81 Only                                   | 1         |   |
| 13   | 106234      | Fuel Tank  | 1         | 1 |
| 14   | 106945      | Fuel Cap & Gauge   | 1         | 1 |
| 15   | 106931      | Rubber Seal  | 1         | 1 |
| 16   | 926696      | S.T. Bolt 5/16-18 X 7/8  | 2         | 2 |
| 17   | 920039      | Washer 3/8 SAE   | 2         | 2 |
| 18   | 908016      | Bolt 5/16-18 X 5/8   | 2         | 2 |
| 19   | 920082      | Lockwasher 5/16  | 2         | 2 |
| 20   | 104047      | Rubber Bushing   | 1         | 1 |
| 21   | 104048      | Fuel Shut Off Valve  | 1         | 1 |
| 22   | 106445      | Fuel Line  | 1         | 1 |
| 23   | 950154      | Corbin Clamp   | 2         | 2 |
| 24   | 8830        | Hose Clamp   | 3         | 3 |
| 25   | 106429      | Muffler C-81 Only  | 1         |   |
| 26   | 106918      | Muffler C-161, C-141, C-121, C-101 Only                        | 1         | 1 |
| 27   | 102645      | Muffler Clamp  | 1         | 1 |
| 28   | 102265      | Nipple C-141, C-121, C-101 Only                                | 1         | 1 |
| 28   | 105913      | Nipple C-81 & C-161 Only                                       | 1         | 1 |
| 29   | 943151      | Adapter C-161 Only   | 1         | 1 |
| 30   | 106428      | Muffler Mounting Bracket C-161, C-141, C-121, C-101, C-81 Only | 1         | 1 |
| 31   | 908002      | Bolt 1/4-20 X 5/8 C-161, C-141, C-121, C-101, C-81 Only        | 1         | 1 |
| 32   | 920081      | Lockwasher 1/4 C-161, C-141, C-121, C-101, C-81 Only           | 1         | 1 |
| 33   | 915111      | Nut 1/4-20 Free Running C-161, C-141, C-121, C-101, C-81 Only  | 1         | 1 |
| 34   | 908003      | Bolt 1/4-20 X 3/4  | 2         | 2 |
| 35   | 915111      | Esllok Nut 1/4-20  | 2         | 2 |
| 36   | 106818      | Muffler C-161 Twin Only  | 1         | 1 |
| 37   | 106811      | Exhaust Manifold C-161 Twin Only                               | 1         | 1 |
| 38   | 106796      | Muffler Clamp 1 1/8 C-161 Twin Only                            | 2         | 2 |
| 39   | 106819      | Muffler Mounting Bracket C-161 Twin Only                       | 1         | 1 |
| 40   | 915113      | Nut 3/8-16 C-161 Twin Only                                     | 1         | 1 |
| 41   | 920038      | Lockwasher 3/8 C-161 Twin Only                                 | 1         | 1 |

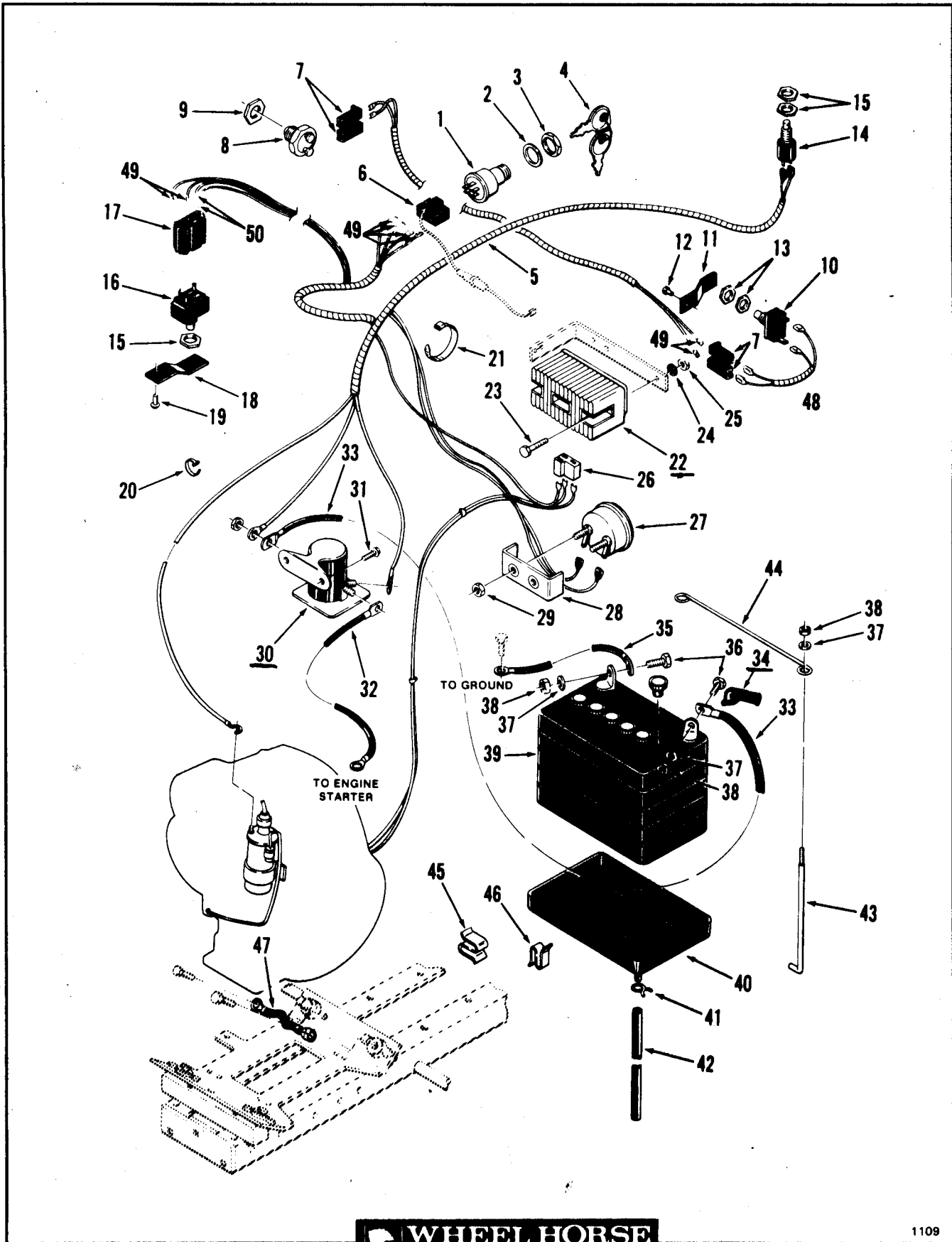


Figure 11-1 Electrical System-Single Cylinder Models

| Item  | Part Number | Description                                   | Automatic |     |
|---|-------------|---|-----------|-----|
|   |             |   | 8-Speed   |     |
| <b>Figure 11-1<br/>ELECTRICAL SYSTEM-SINGLE CYLINDER MODELS</b> |             |   |           |     |
| 1   | 103990      | Ignition Switch .....                         | 1         | 1   |
| 2   | 920160      | Internal Tooth Lockwasher 5/8 .....           | 1         | 1   |
| 3   | 101884      | Special Nut .....                             | 1         | 1   |
| 4   | 7262        | Ignition Key-Set of 2 .....                   | 1         | 1   |
| 5   | 106453      | Wiring Harness .....                          | 1         | 1   |
| 6   | 105302      | Connector Body-Ignition Switch .....          | 1         | 1   |
| 7   | 106024      | Connector Body-Interlock Switch .....         | 2         | 2   |
| 8   | 105877      | Interlock Switch-Transmission .....           | 1         |     |
| 9   | 102277      | Special Nut .....                             | 1         |     |
| 10  | 106768      | Interlock Switch-Transmission .....           |           | 1   |
| 11  | 105873      | Switch Clip .....                             |           | 1   |
| 12  | 923784      | Pop Rivet .....                               |           | 2   |
| 13  | 8786        | Nut 15/32-32 .....                            |           | 2   |
| 14  | 106268      | Seat Switch .....                             | 1         | 1   |
| 15  | 8786        | Nut 15/32-32 .....                            | 3         | 3   |
| 16  | 104680      | PTO Interlock Switch .....                    | 1         | 1   |
| 17  | 105303      | Connector Body-PTO Interlock Switch .....     | 1         | 1   |
| 18  | 105873      | Switch Clip .....                             | 1         | 1   |
| 19  | 932016      | Pop Rivet .....                               | 2         | 2   |
| 20  | 518017      | Cable Tie Small C-81 Only .....               | 1         |     |
| 21  | 100571      | Cable Tie-Large .....                         | XXX       | XXX |
| 22  | 101450      | Rectifier-Regulator .....                     | 1         | 1   |
| 23  | 908004      | Bolt 1/4-20 X 7/8 .....                       | 2         | 2   |
| 24  | 920122      | Internal Tooth Lockwasher 1/4 .....           | 2         | 2   |
| 25  | 915111      | Eslok Nut 1/4-20 .....                        | 2         | 2   |
| 26  | 101476      | Connector Body-Rectifier Regulator .....      | 1         | 1   |
| 27  | 102046      | Ammeter .....                                 | 1         | 1   |
| 28  | 102047      | Back Clamp-Ammeter .....                      | 1         | 1   |
| 29  | 5924        | Nut #10-32 E.S. ....                          | 2         | 2   |
| 30  | 8658        | Solenoid .....                                | 1         | 1   |
| 31  | 960151      | Whizlock Bolt 1/4-20 X 1/2 .....              | 2         | 2   |
| 32  | 107148      | Cable-Solenoid To Starter .....               | 1         | 1   |
| 33  | 4432        | Cable-Battery (+) To Solenoid .....           | 1         | 1   |
| 34  | 104277      | Terminal Cover .....                          | 1         | 1   |
| 35  | 3660        | Cable-Battery (-) To Ground .....             | 1         | 1   |
| 36  | 908003      | Bolt 1/4-20 X 3/4 .....                       | 2         | 2   |
| 37  | 920007      | Washer 1/4 SAE .....                          | 4         | 4   |
| 38  | 915111      | Eslok Nut 1/4-20 .....                        | 4         | 4   |
| 39  | 104962      | Battery C-81 Only .....                       | 1         |     |
| 39  | 105842      | Battery C-161, C-141, C-121, C-101 Only ..... | 1         | 1   |
| 40  | 106948      | Battery Tray .....                            | 1         | 1   |
| 41  | 950154      | Corbin Clamp .....                            | 1         | 1   |
| 42  | 101338      | Hose .....                                    | 1         | 1   |
| 43  | 8107        | J-Bolt-Battery Hold Down .....                | 2         | 2   |
| 44  | 105504      | Battery Hold Down Rod .....                   | 1         | 1   |
| 45  | 3023        | Clip-Large .....                              | 2         | 2   |
| 46  | 8830        | Clip-Small .....                              | 2         | 2   |
| 47  | 3660        | Cable-Engine Ground .....                     | 1         | 1   |
| 48  | 107425      | Wire Assembly .....                           |           | 1   |
| 49  | 102651      | Female Terminal 1/4 .....                     | 8         | 8   |
| 50  | 105306      | Female Terminal .....                         | 2         | 2   |

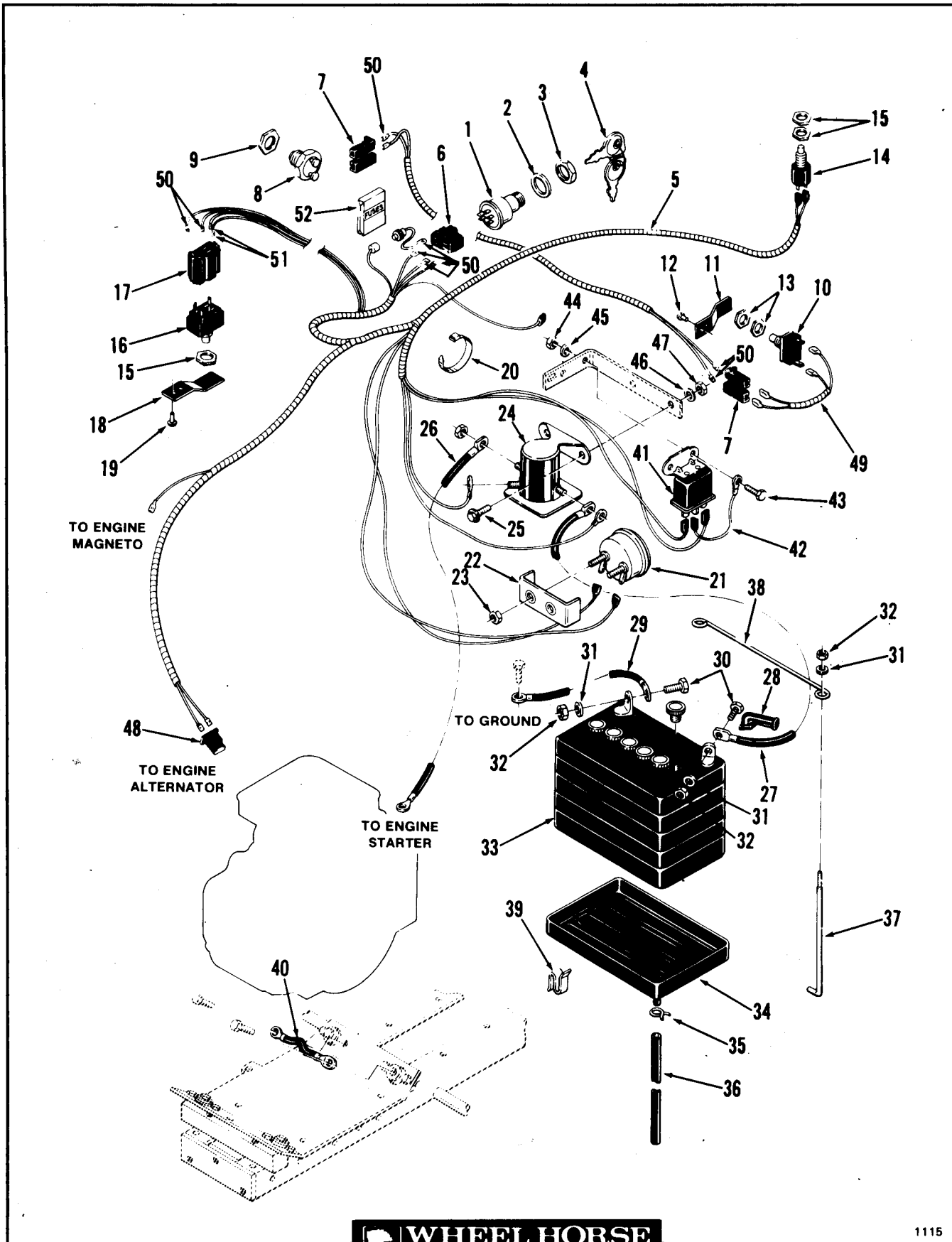


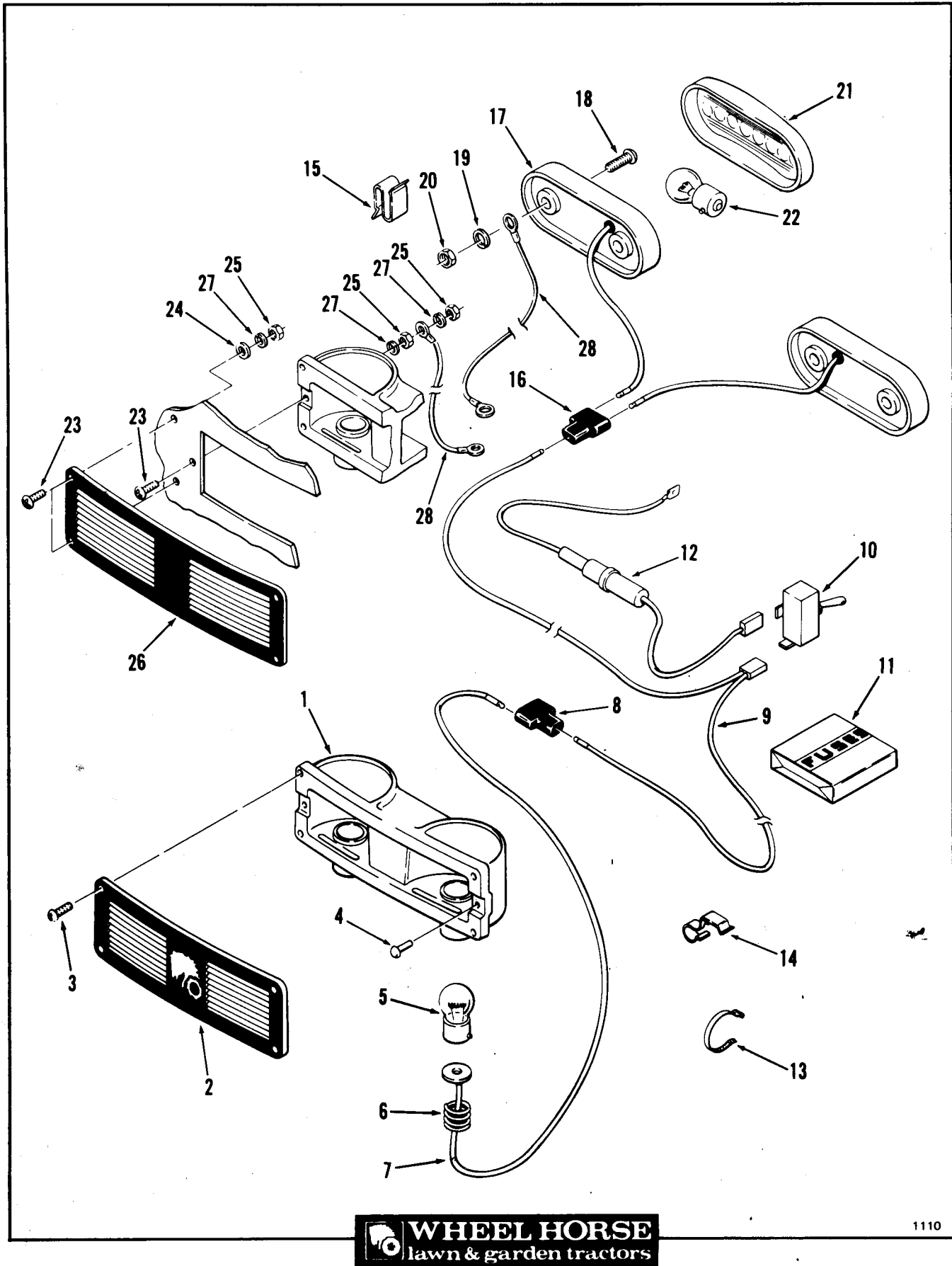
Figure 11-2

Electrical System-Twin Cylinder Models



| Item  | Part Number | Description                               | Automatic |     |
|---|-------------|---|-----------|-----|
|   |             |   | 8-Speed   |     |
| <b>Figure 11-2</b>                            |             |   |           |     |
| <b>ELECTRICAL SYSTEM-TWIN CYLINDER MODELS</b> |             |   |           |     |
| 1   | 103990      | Ignition Switch .....                     | 1         | 1   |
| 2   | 920160      | Internal Tooth Lockwasher 5/8 .....       | 1         | 1   |
| 3   | 100884      | Special Nut .....                         | 1         | 1   |
| 4   | 7262        | Ignition Key-Set of 2 .....               | 1         | 1   |
| 5   | 106810      | Wiring Harness .....                      | 1         | 1   |
| 6   | 105302      | Connector Body-Ignition Switch .....      | 1         | 1   |
| 7   | 106024      | Connector Body-Interlock Switch .....     | 2         | 2   |
| 8   | 105877      | Interlock Switch-Transmission .....       | 1         |     |
| 9   | 102277      | Special Nut .....                         | 1         |     |
| 10  | 106768      | Interlock Switch-Transmission .....       |           | 1   |
| 11  | 105873      | Switch Clip .....                         |           | 1   |
| 12  | 923784      | Pop Rivet .....                           |           | 2   |
| 13  | 8786        | Nut 15/32-32 .....                        |           | 2   |
| 14  | 106268      | Seat Switch .....                         | 1         | 1   |
| 15  | 8786        | Nut 15/32-32 .....                        | 3         | 3   |
| 16  | 104680      | PTO Interlock Switch .....                | 1         | 1   |
| 17  | 105303      | Connector Body-PTO Interlock Switch ..... | 1         | 1   |
| 18  | 105873      | Switch Clip .....                         | 1         | 1   |
| 19  | 932016      | Pop Rivet .....                           | 2         | 2   |
| 20  | 100571      | Cable Tie .....                           | XXX       | XXX |
| 21  | 106850      | Ammeter .....                             | 1         | 1   |
| 22  | 102047      | Back Clamp-Ammeter .....                  | 1         | 1   |
| 23  | 5924        | Nut #10-32 E.S. ....                      | 2         | 2   |
| 24  | 8658        | Solenoid .....                            | 1         | 1   |
| 25  | 960151      | Whizlock Bolt 1/4-20 X 1/2 .....          | 2         | 2   |
| 26  | 3993        | Cable-Solenoid To Starter .....           | 1         | 1   |
| 27  | 4432        | Cable-Battery (+) To Solenoid .....       | 1         | 1   |
| 28  | 104277      | Terminal Cover .....                      | 1         | 1   |
| 29  | 3660        | Cable-Battery (-) To Ground .....         | 1         | 1   |
| 30  | 908003      | Bolt 1/4-20 X 3/4 .....                   | 2         | 2   |
| 31  | 920007      | Washer 1/4 SAE .....                      | 4         | 4   |
| 32  | 915111      | Eslok Nut 1/4-20 .....                    | 4         | 4   |
| 33  | 105842      | Battery .....                             | 1         | 1   |
| 34  | 106948      | Battery Tray .....                        | 1         | 1   |
| 35  | 950154      | Corbin Clamp .....                        | 1         | 1   |
| 36  | 101338      | Hose .....                                | 1         | 1   |
| 37  | 8107        | J-Bolt - Battery Hold Down .....          | 1         | 1   |
| 38  | 105504      | Battery Hold Down Rod .....               | 1         | 1   |
| 39  | 8830        | Clip-Small .....                          | 1         | 1   |
| 40  | 3660        | Engine Ground .....                       | 1         | 1   |
| 41  | 106883      | Relay .....                               | 1         | 1   |
| 42  | 106784      | Ground Wire .....                         | 1         | 1   |
| 43  | 915403      | Bolt #10-32 X 5/8 .....                   | 2         | 2   |
| 44  | 915551      | Nut #10-32 .....                          | 2         | 2   |
| 45  | 920079      | Lockwasher #10 .....                      | 2         | 2   |
| 46  | 920122      | Internal Tooth Lockwasher 1/4 .....       | 2         | 2   |
| 47  | 915111      | Eslok Nut 1/4 .....                       | 2         | 2   |
| 48  | 518151      | Connector Body-Engine Alternator .....    | 1         | 1   |
| 49  | 107425      | Wire Assembly .....                       |           | 1   |
| 50  | 102651      | Female Terminal 1/4 .....                 | 8         | 8   |
| 51  | 105306      | Female Terminal .....                     | 2         | 2   |
| 52  | 101639      | Fuses SFE 20 Amp .....                    | XXX       | XXX |

Wheel Horse Products, Inc.



1110

Figure 11-3 Head and Tail Lights

| Item   | Part Number | Description   | Automatic |     |
|--|-------------|---|-----------|-----|
|  |             |   | 8-Speed   |     |
| <b>Figure 11-3<br/>HEAD AND TAIL LIGHTS</b>  |             |   |           |     |
| 1  | 7223        | Light Housing C-161, C-141, C-121, C-161 Twin Only .....    | 1         | 1   |
| 2  | 103771      | Lens C-161, C-141, C-121 Only .....                         | 1         | 1   |
| 3  | 7229        | Special Screw C-161, C-141, C-121 Only .....                | 4         | 4   |
| 4  | 923784      | Pop Rivet C-161, C-141, C-121 Only .....                    | 2         | 2   |
| 5  | 7228        | Light Bulb C-161, C-141, C-121, C-161 Twin Only .....       | 2         | 2   |
| 6  | 7227        | Spring C-161, C-141, C-121, C-161 Twin Only .....           | 2         | 2   |
| 7  | 7226        | Headlight Wire C-161, C-141, C-121, C-161 Twin Only .....   | 2         | 2   |
| 8  | 7618        | 3 Wire Connector C-161, C-141, C-121, C-161 Twin Only ..... | 1         | 1   |
| 9  | 103137      | Light Harness C-161, C-161 Twin Only .....                  | 1         | 1   |
| 9  | 106558      | Light Harness C-141, C-121 Only .....                       | 1         | 1   |
| 10   | 102138      | Light Switch C-161, C-141, C-121, C-161 Twin Only .....     | 1         | 1   |
| 11   | 101639      | Fuses SFE 20 Amp C-161, C-141, C-121 Only .....             | XXX       | XXX |
| 12   | 101846      | Fused Connector C-161, C-141, C-121 Only .....              | 1         | 1   |
| 13   | 100571      | Cable Tie C-161, C-141, C-121 Only .....                    | XXX       | XXX |
| 14   | 8519        | Clip-Large C-161, C-141, C-121, C-161 Twin Only .....       | XXX       | XXX |
| 15   | 3023        | Clip-Small C-161, C-141, C-121, C-161 Twin Only .....       | XXX       | XXX |
| 16   | 7618        | 3-Wire Connector C-161, C-161 Twin Only .....               | 1         | 1   |
| 17   | 105202      | Taillight Base W/Bulb C-161, C-161 Twin Only .....          | 2         | 2   |
| 18   | 910808      | Screw #10-32 X 5/8 C-161, C-161 Twin Only .....             | 4         | 4   |
| 19   | 920079      | Lockwasher #10 C-161, C-161 Twin Only .....                 | 4         | 4   |
| 20   | 915551      | Nut #10-32 C-161, C-161 Twin Only .....                     | 4         | 4   |
| 21   | 102884      | Taillight Lens C-161, C-161 Twin Only .....                 | 2         | 2   |
| 22   | 8043        | Light Bulb C-161, C-161 Twin Only .....                     | 2         | 2   |
| 23   | 107272*     | Special Screw C-161 Twin Only .....                         | 6         | 6   |
| 24   | 920003*     | Washer #6 C-161 Twin Only .....                             | 4         | 4   |
| 25   | 915536*     | Nut #6-32 C-161 Twin Only .....                             | 7         | 7   |
| 26   | 106829      | Lens C-161 Twin Only .....                                  | 1         | 1   |
| 27   | 920077*     | Lockwasher #6 .....   | 7         | 7   |
| 28   | 106797      | Ground Wire C-161 Twin Only .....                           | 3         | 3   |
| <p>*Later Models Built Using Pop Rivets 923787 To Fasten Light Housing 7223 To Hood 106828, and Pop Rivets 923797 To Fasten Tail Light Base 105202 To Fender 107404.</p> |             |   |           |     |

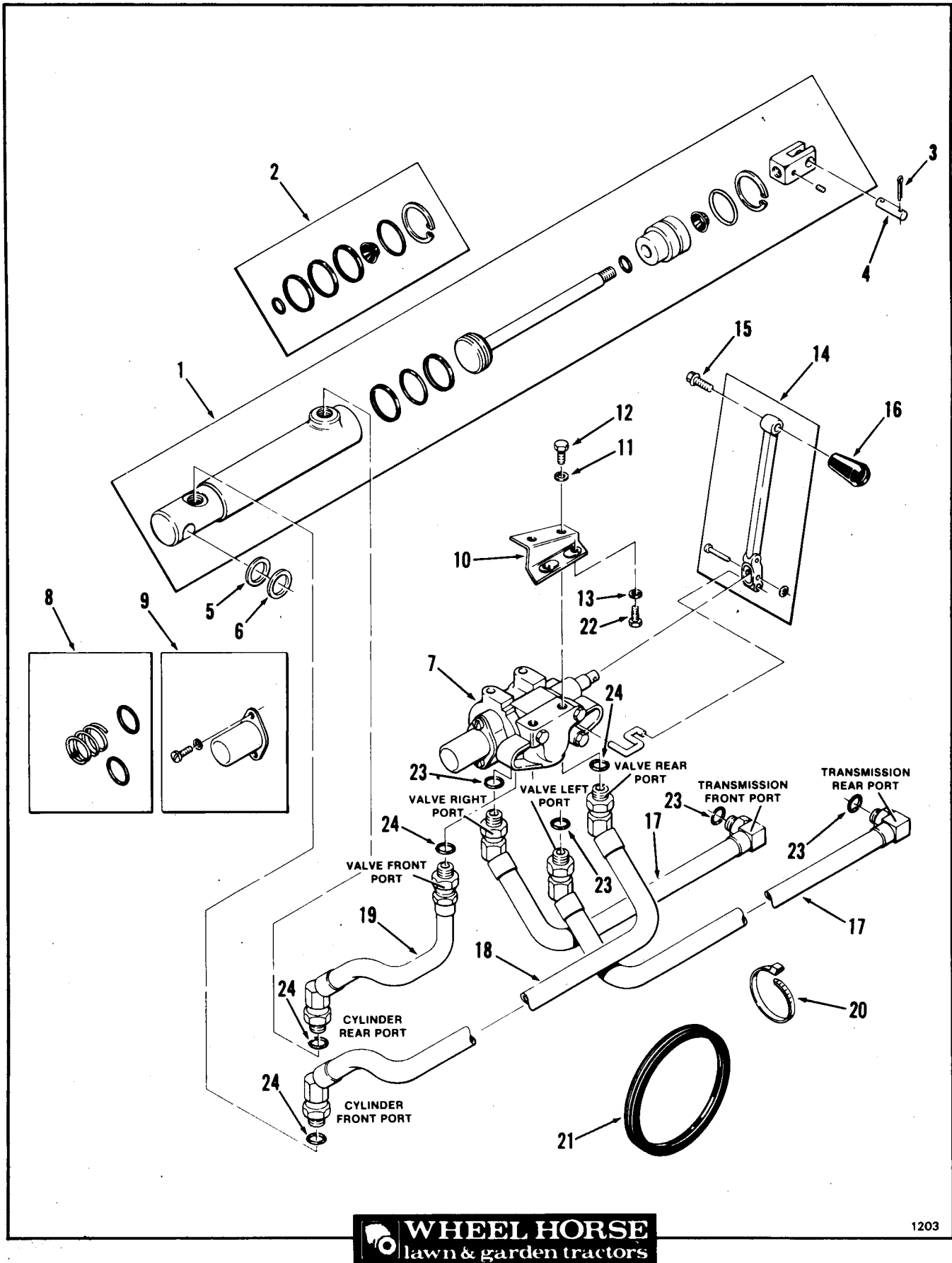
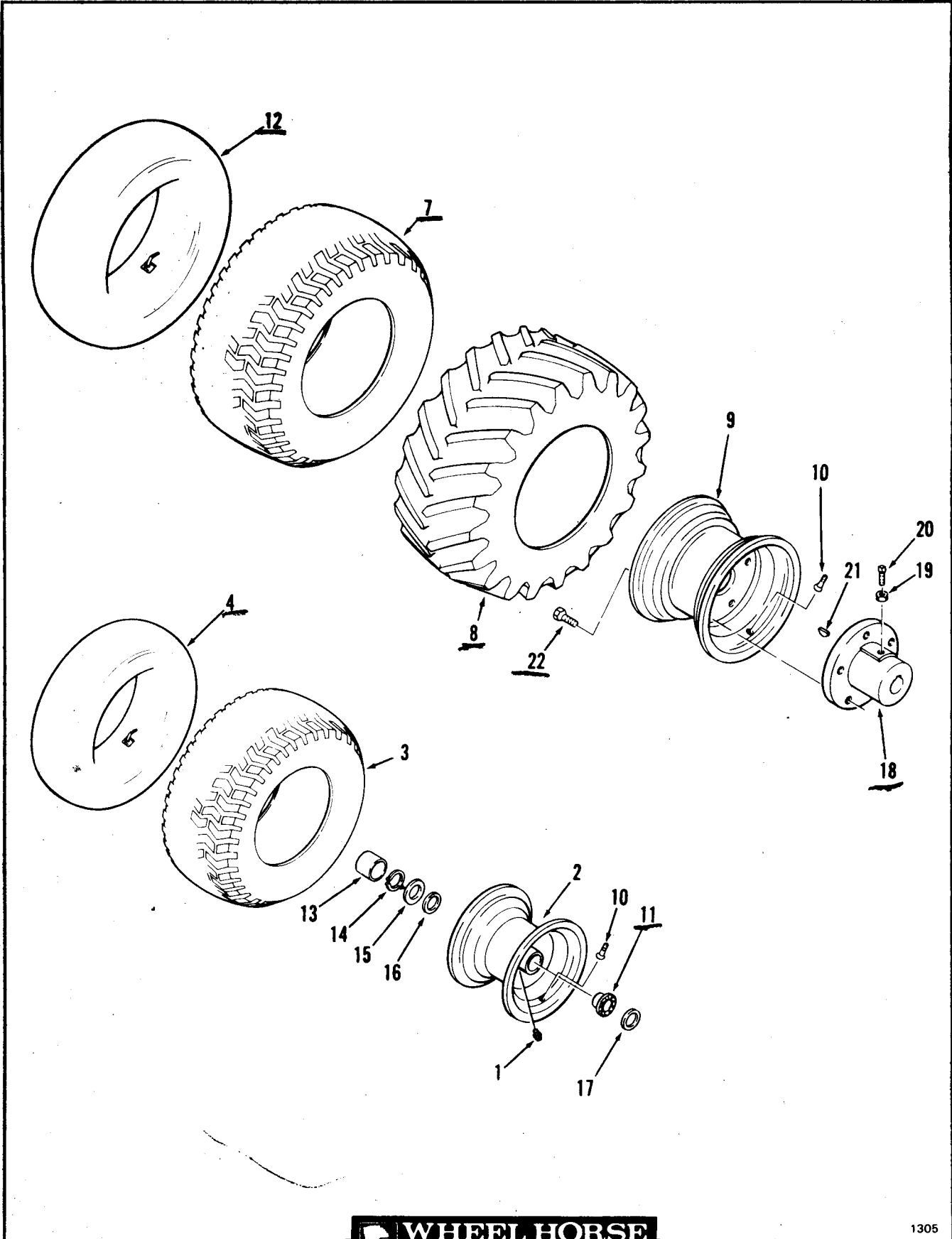


Figure 12-1 Hydraulic System

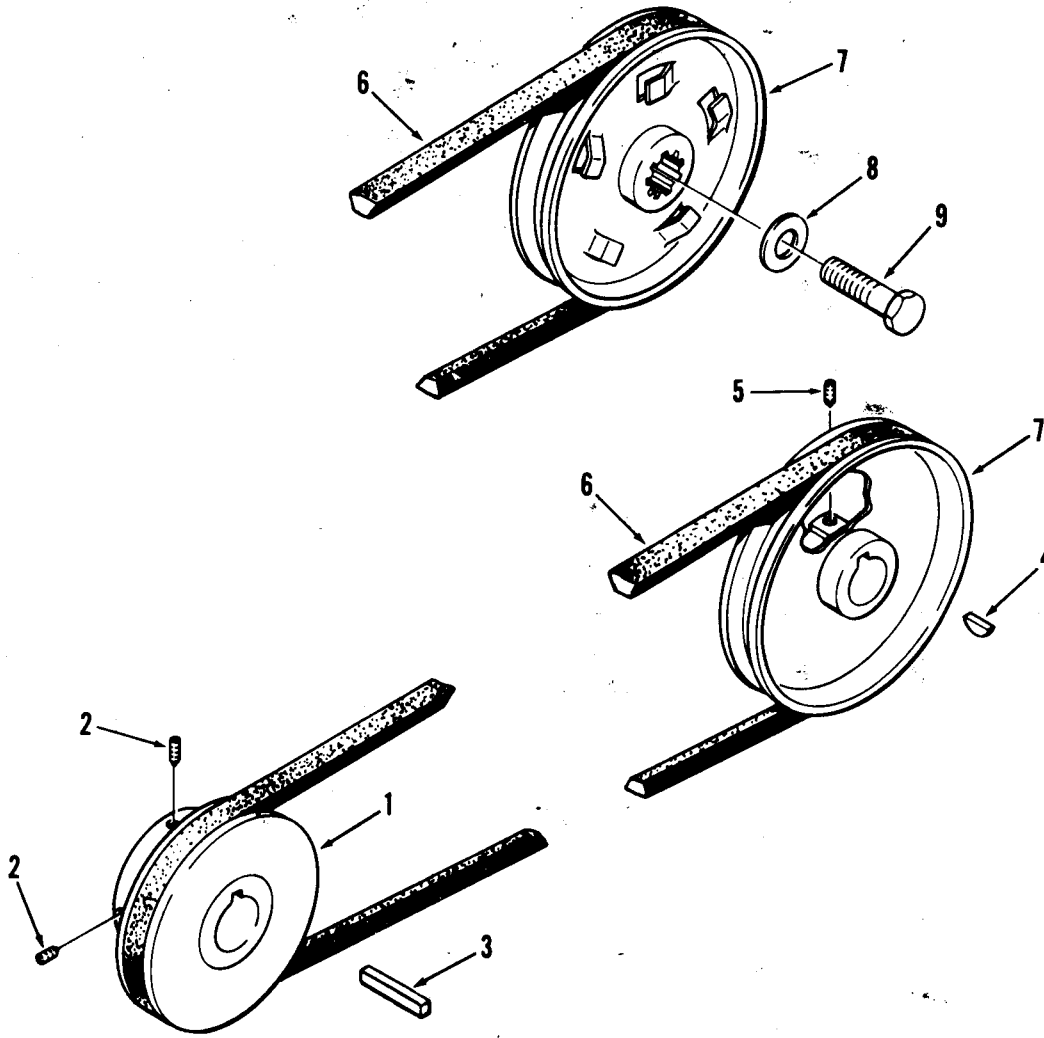
| Item                                    | Part Number | Description  | Automatic |
|---|-------------|--|-----------|
|   |             |  | 8-Speed   |
| <b>Figure 12-1<br/>HYDRAULIC SYSTEM</b> |             |  |           |
| 1                                       | 106249      | Hydraulic Cylinder C-161, C-141, C-161 Twin Only .....         | 1         |
| 2                                       | 101699      | S.A. Repair Kit C-161, C-141, C-161 Twin Only .....            | 1         |
| 3                                       | 932017      | Cotter Pin 1/8 X 1 C-161, C-141, C-161 Twin Only .....         | 2         |
| 4                                       | 6619        | Pin C-161, C-141, C-161 Twin Only .....                        | 1         |
| 5                                       | 1278        | Shim Washer C-161, C-141, C-161 Twin Only .....                | 1         |
| 6                                       | 4064        | Shim Washer C-161, C-141, C-161 Twin Only .....                | 1         |
| 7                                       | 106680      | Hydraulic Valve C-161, C-141, C-161 Twin Only .....            | 1         |
| 8                                       | 105108      | S.A. O-Ring Kit C-161, C-141, C-161 Twin Only .....            | 1         |
| 9                                       | 101536      | S.A. Spool Cap Kit C-161, C-141, C-161 Twin Only .....         | 1         |
| 10                                      | 106404      | Mounting Bracket C-161, C-141, C-161 Twin Only .....           | 1         |
| 11                                      | 920082      | Lockwasher 5/16 C-161, C-141, C-161 Twin Only .....            | 2         |
| 12                                      | 908017      | Bolt 5/16-18 X 3/4 C-161, C-141, C-161 Twin Only .....         | 2         |
| 13                                      | 920008      | Washer 5/16 SAE C-161, C-141, C-161 Twin Only .....            | 2         |
| 14                                      | 105145      | S.A. Valve Handle C-161, C-141, C-161 Twin Only .....          | 1         |
| 15                                      | 960154      | Whizlock Bolt 1/4-20 X 7/8 C-161, C-141, C-161 Twin Only ..... | 1         |
| 16                                      | 102892      | Knob C-161, C-141, C-161 Twin Only .....                       | 1         |
| 17                                      | 106651      | Hose-Transmission To Valve C-161, C-141, C-161 Twin Only ..... | 2         |
| 18                                      | 106420      | Hose-Valve To Cylinder C-161, C-141, C-161 Twin Only .....     | 1         |
| 19                                      | 106421      | Hose-Valve To Cylinder C-161, C-141, C-161 Twin Only .....     | 1         |
| 20                                      | 100571      | Cable Tie C-161, C-141, C-161 Twin Only .....                  | XXX       |
| 21                                      | 106267      | Rubber Grommet C-161, C-141, C-161 Twin Only .....             | 1         |
| 22                                      | 926696      | S.T. Bolt 5/16-18 X 7/8 C-161, C-141, C-161 Twin Only .....    | 2         |
| 23                                      | 973370      | O-Ring C-161, C-141, C-161 Twin Only .....                     | 4         |
| 24                                      | 973310      | O-Ring C-161, C-141, C-161 Twin Only .....                     | 4         |



1305

Figure 13-1      Wheels and Tires

| Item                                    | Part Number | Description                        | Automatic |     |
|---|-------------|------------------------------------|-----------|-----|
|   |             |                                    | 8-Speed   |     |
| <b>Figure 13-1<br/>WHEELS AND TIRES</b> |             |                                    |           |     |
| 1                                       | 1030        | Grease Fitting .....               | 2         | 2   |
| 2                                       | 105882      | Front Wheel .....                  | 2         | 2   |
| 3                                       | 9792        | Front Tire 16X6:50-8 .....         | 2         | 2   |
| 4                                       | 5512        | Tube-Service Only .....            | 2         | 2   |
| 7                                       | 5434        | Rear Tire 23X8:50-12 Turf .....    | 2         | 2   |
| 8                                       | 7607        | Rear Tire 23X8:50-12 Cleat .....   | 2         | 2   |
| 9                                       | 5433        | Rear Wheel .....                   | 2         | 2   |
| 10                                      | 5108        | Valve Stem .....                   | 2         | 2   |
| 11                                      | 4999        | Ball Bearing .....                 | 4         | 4   |
| 12                                      | 7007        | Tube-Service Only .....            | 2         | 2   |
| 13                                      | 103565      | Hub Cap .....                      | 2         | 2   |
| 14                                      | 104822      | Special Heavy Duty Snap Ring ..... | 2         | 2   |
| 15                                      | 920015      | Washer 3/4 SAE .....               | 2         | 2   |
| 16                                      | 1278        | Shim Washer 3/4 X .050 .....       | XXX       | XXX |
| 17                                      | 5210        | Shim Washer 3/4 X .015 .....       | XXX       | XXX |
| 18                                      | 105763      | Hub-Rear Wheel .....               | 2         | 2   |
| 19                                      | 915236      | Nut 3/8-16 Free Running .....      | 2         | 2   |
| 20                                      | 909554      | Set Screw 3/8-16 X 1 Sq HD .....   | 2         | 2   |
| 21                                      | 937108      | Woodruff Key 1/4 X 1 3/8 .....     | 2         | 2   |
| 22                                      | 1004        | Lug Bolt .....                     | 10        | 10  |
| 10                                      | 605762      | Wielnaaf 1"                        |           |     |
| 20                                      | 937097      | Spie 1" as                         |           |     |

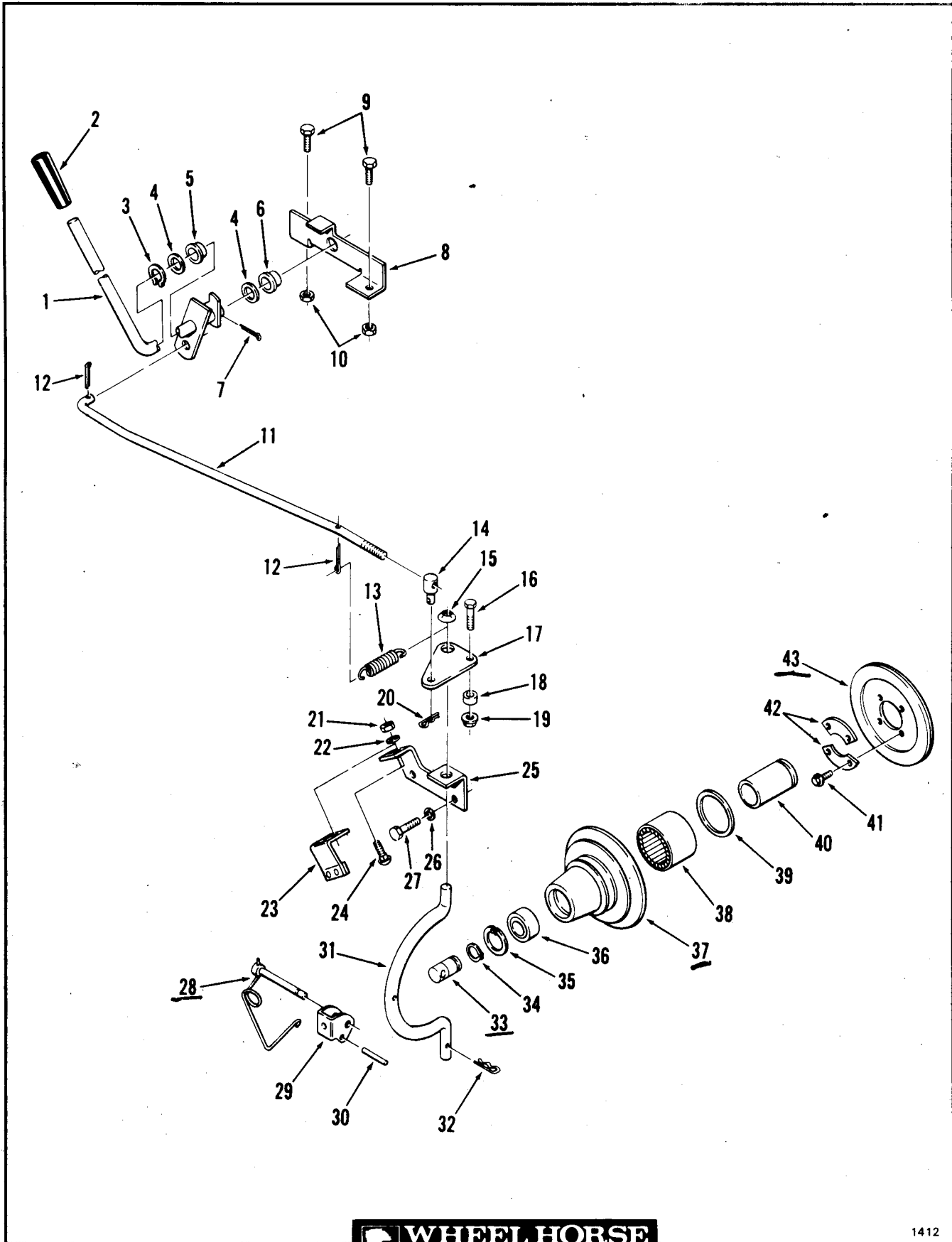


1411

Figure 14-1 Drive Belt and Pulleys



| Item  | Part Number | Description   | Automatic |   |
|---|-------------|---|-----------|---|
|   |             |   | 8-Speed   |   |
| <b>Figure 14-1<br/>DRIVE BELT AND PULLEYS</b> |             |   |           |   |
| 1   | 7466        | Engine Drive Pulley C-161, C-141, C-121, C-101 Only | 1         |   |
| 1   | 101875      | Engine Drive Pulley C-81 Only                       | 1         |   |
| 1   | 106814      | Engine Drive Pulley C-161 Twin Only + C III         | 1         |   |
| 1   | 7443        | Engine Drive Pulley C-161, C-141, C-121 Only        |           | 1 |
| 1   | 106813      | Engine Drive Pulley C-161 Twin Only                 |           | 1 |
| 2   | 909862      | Set Screw 5/16-18 X 5/16                            | 2         | 2 |
| 3   | 105453      | Key   | 1         | 1 |
| 4   | 937221      | HI-Pro Key 5/8 X 21/32                              | 1         |   |
| 5   | 908540      | Set Screw 5/16-18 X 5/8                             | 1         |   |
| 6   | 7478        | Drive Belt C-161, C-141, C-121, C-101, C-81 Only    | X         | 1 |
| 6   | 106497      | Drive Belt C-161 Twin Only                          | 1         |   |
| 6   | 7473        | Drive Belt C-161, C-141, C-121 Only                 |           | X |
| 6   | 106496      | Drive Belt C-161 Twin Only                          |           | 1 |
| 7   | 106165      | Transmission Drive Pulley                           | 1         |   |
| 7   | 105909      | Transmission Drive Pulley                           |           | 1 |
| 8   | 103995      | Washer  |           | 1 |
| 9   | 908004      | Bolt 1/4-20 X 7/8                                   |           | 1 |



1412

Figure 14-2 PTO Clutch and Control

| Item  | Part Number | Description  | Automatic |   |
|---|-------------|--|-----------|---|
|   |             |  | 8-Speed   |   |
| <b>Figure 14-2<br/>PTO CLUTCH AND CONTROL</b> |             |  |           |   |
| 1   | 106642      | PTO Clutch Lever .....   | 1         | 1 |
| 2   | 9038        | Grip .....   | 1         | 1 |
| 3   | 106649      | Grip Ring .....  | 1         | 1 |
| 4   | 3765        | Shim Washer .....  | 2         | 2 |
| 5   | 5666        | Nyliner Bushing .....  | 1         | 1 |
| 6   | 5983        | Bushing .....  | 1         | 1 |
| 7   | 932016      | Cotter Pin 1/8 X 3/4 .....   | 1         | 1 |
| 8   | 106359      | PTO Clutch Support Bracket .....   | 1         | 1 |
| 9   | 908016      | Bolt 5/16-18 X 5/8 .....   | 2         | 2 |
| 10  | 915112      | Eslok Nut 5/16-18 .....  | 2         | 2 |
| 11  | 106502      | PTO Clutch Rod .....   | 1         | 1 |
| 12  | 932016      | Cotter Pin 1/8 X 3/4 .....   | 2         | 2 |
| 13  | 103125      | Spring .....   | 1         | 1 |
| 14  | 101161      | Trunnion .....   | 1         | 1 |
| 15  | 106695      | Push Nut .....   | 1         | 1 |
| 16  | 908034      | Bolt 5/16-18 X 1 .....   | 1         | 1 |
| 17  | 102943      | PTO Plate .....  | 1         | 1 |
| 18  | 102704      | Spacer .....   | 1         | 1 |
| 19  | 102809      | Flanged Nut 3/8-16 .....   | 1         | 1 |
| 20  | 933505      | Hairpin Cotter .....   | 1         | 1 |
| 21  | 915111      | Eslok Nut 1/4-20 .....   | 2         | 2 |
| 22  | 920007      | Washer 1/4 SAE .....   | 2         | 2 |
| 23  | 104730      | PTO Brake Assy C-161, C-141, C-121, C-101, C-81 Only .....               | 1         | 1 |
| 23  | 106781      | PTO Brake Assy C-161 Twin Only <i>T.W.S.E. CYLINDER</i> .....            | 1         | 1 |
| 24  | 900015      | Carriage Bolt 1/4-20 X 1 .....   | 2         | 2 |
| 25  | 104729      | Engine Bracket C-161, C-141, C-121, C-101 Only .....                     | 1         | 1 |
| 25  | 104732      | Engine Bracket C-81 Only .....   | 1         | 1 |
| 25  | 106778      | Engine Bracket C-161 Twin Only .....                                     | 1         | 1 |
| 26  | 920083      | Lockwasher 3/4 C-81 Only .....   | 2         | 2 |
| 26  | 920084      | Lockwasher 7/16 C-161, C-141, C-121, C-101, C-81, C-161 Twin Only .....  | 2         | 2 |
| 27  | 908032      | Bolt 3/8-16 X 3/4 C-81 Only .....  | 2         | 2 |
| 27  | 908046      | Bolt 7/16-14 X 1 C-161, C-141, C-121, C-101, C-81, C-161 Twin Only ..... | 2         | 2 |
| 28  | 105850      | Locking Pin .....  | 1         | 1 |
| 29  | 106693      | Clevis .....   | 1         | 1 |
| 30  | 933267      | Spirol Pin 5/32 X 1 1/4 .....  | 1         | 1 |
| 31  | 106694      | PTO Housing Rod C-161, C-141, C-121, C-101, C-81 Only .....              | 1         | 1 |
| 31  | 106779      | PTO Housing Rod C-161 Twin Only .....                                    | 1         | 1 |
| 32  | 933506      | Hairpin Cotter .....   | 1         | 1 |
| 33  | 102872      | Stub Shaft .....   | 1         | 1 |
| 34  | 936125      | Snap Ring 3/4 External .....   | 1         | 1 |
| 35  | 936032      | Snap Ring 1 3/4 Internal .....   | 1         | 1 |
| 36  | 106947      | Ball Bearing .....   | 1         | 1 |
| 37  | 103478      | Pulley Housing .....   | 1         | 1 |
| 38  | 106769      | Needle Bearing .....   | 1         | 1 |
| 39  | 6663        | Seal .....   | 1         | 1 |
| 40  | 6658        | Bearing Race C-161, C-141, C-121, C-101 Only .....                       | 1         | 1 |
| 40  | 6935        | Bearing Race C-81, C-161 Twin Only .....                                 | 1         | 1 |
| 41  | 960152      | Whizlock Bolt 1/4-20 X 5/8 .....   | 4         | 4 |
| 42  | 6659        | Retainer .....   | 2         | 2 |
| 43  | 103817      | Clutch Plate & Facing .....  | 1         | 1 |

5196 →  
6662 =

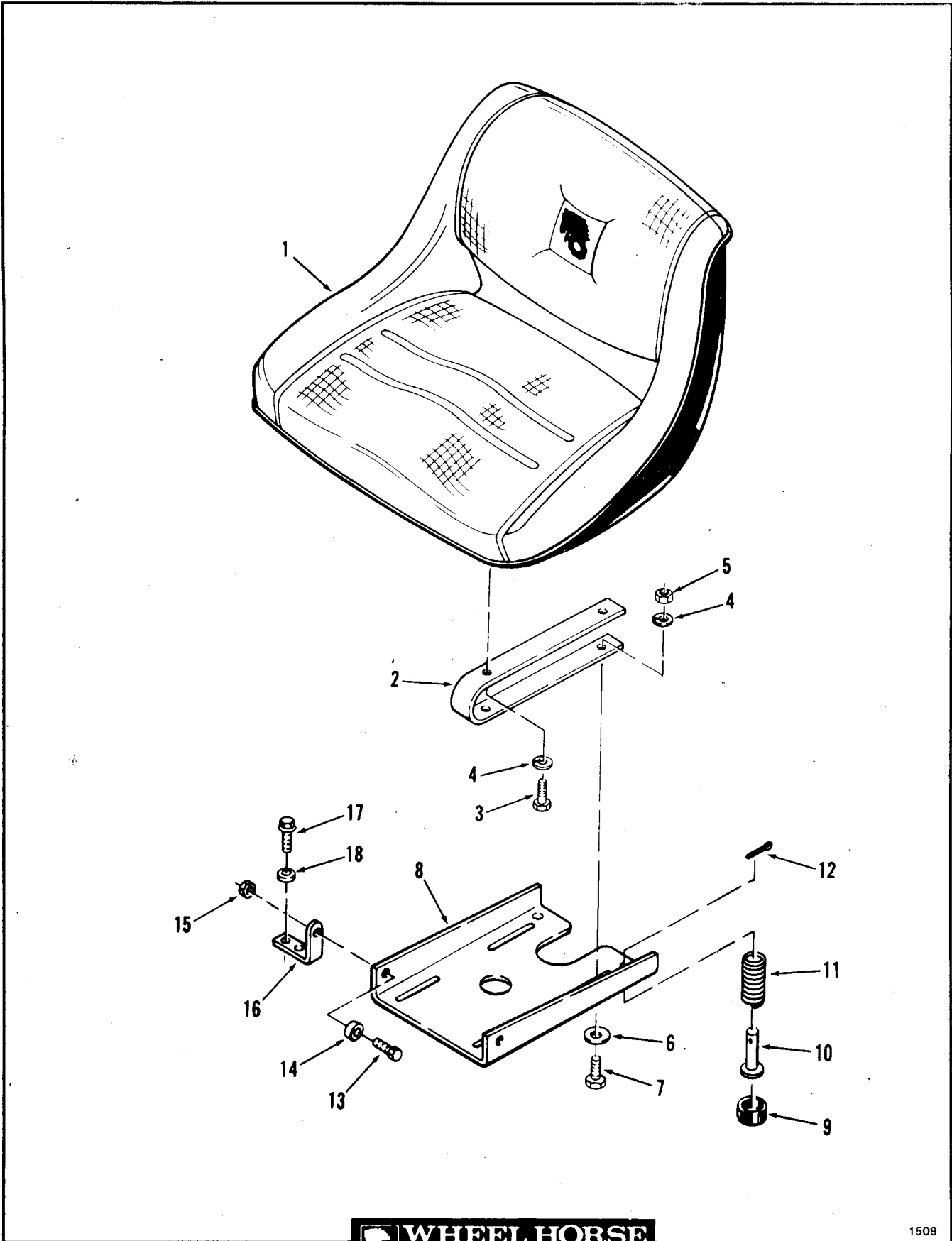
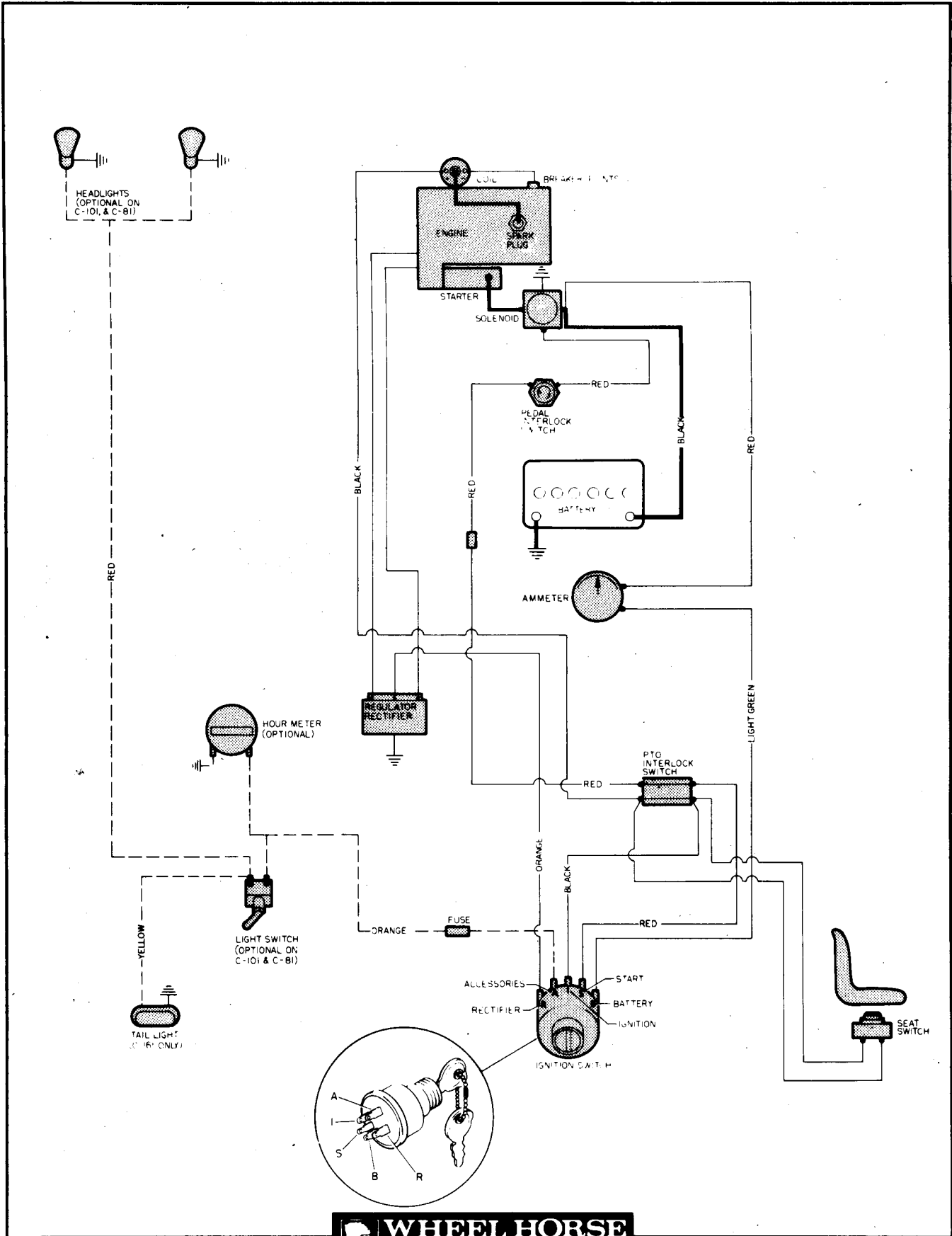


Figure 15-1 Seat

| Item | Part Number | Description  | Automatic |   |
|------|-------------|--|-----------|---|
|      |             |  | 8-Speed   |   |
|      |             | <b>Figure 15-1</b>   |           |   |
|      |             | <b>SEAT</b>  |           |   |
| 1    | 105259      | Seat C-101, C-81 Only .....                                      | 1         |   |
| 1    | 106145      | Seat C-161, C-141, C-121, C-161 Twin Only .....                  | 1         | 1 |
| 2    | 103145      | Seat Spring .....  | 2         | 2 |
| 3    | 908018      | Bolt 5/16-18 X 7/8 .....   | 4         | 4 |
| 4    | 920082      | Lockwasher 5/16 .....  | 8         | 8 |
| 5    | 915112      | Nut 5/16-18 .....  | 4         | 4 |
| 6    | 920038      | Washer 5/16 U.S. ....  | 4         | 4 |
| 7    | 908018      | Bolt 5/16-18 X 1 .....   | 4         | 4 |
| 8    | 106235      | Seat Pivot Plate .....   | 1         | 1 |
| 9    | 106331      | Rubber Cap .....   | 2         | 2 |
| 10   | 106449      | Pin .....  | 2         | 2 |
| 11   | 104841      | Spring .....   | 2         | 2 |
| 12   | 932008      | Cotter Pin 3/32 X 3/4 .....                                      | 2         | 2 |
| 13   | 908018      | Bolt 5/16-18 X 7/8 .....   | 2         | 2 |
| 14   | 105503      | Bushing .....  | 2         | 2 |
| 15   | 915112      | Esllok Nut 5/16-18 .....   | 2         | 2 |
| 16   | 105524      | Pivot Bracket .....  | 2         | 2 |
| 17   | 926696      | S.T. Bolt 5/16-18 X 7/8 C-161, C-141, C-121, C-101, C-81 Only... | 4         | 4 |
| 17   | 915112      | Esllok Nut 5/16-18 .....   | 4         | 4 |
| 18   | 920008      | Washer 5/16 SAE .....  | 4         | 4 |

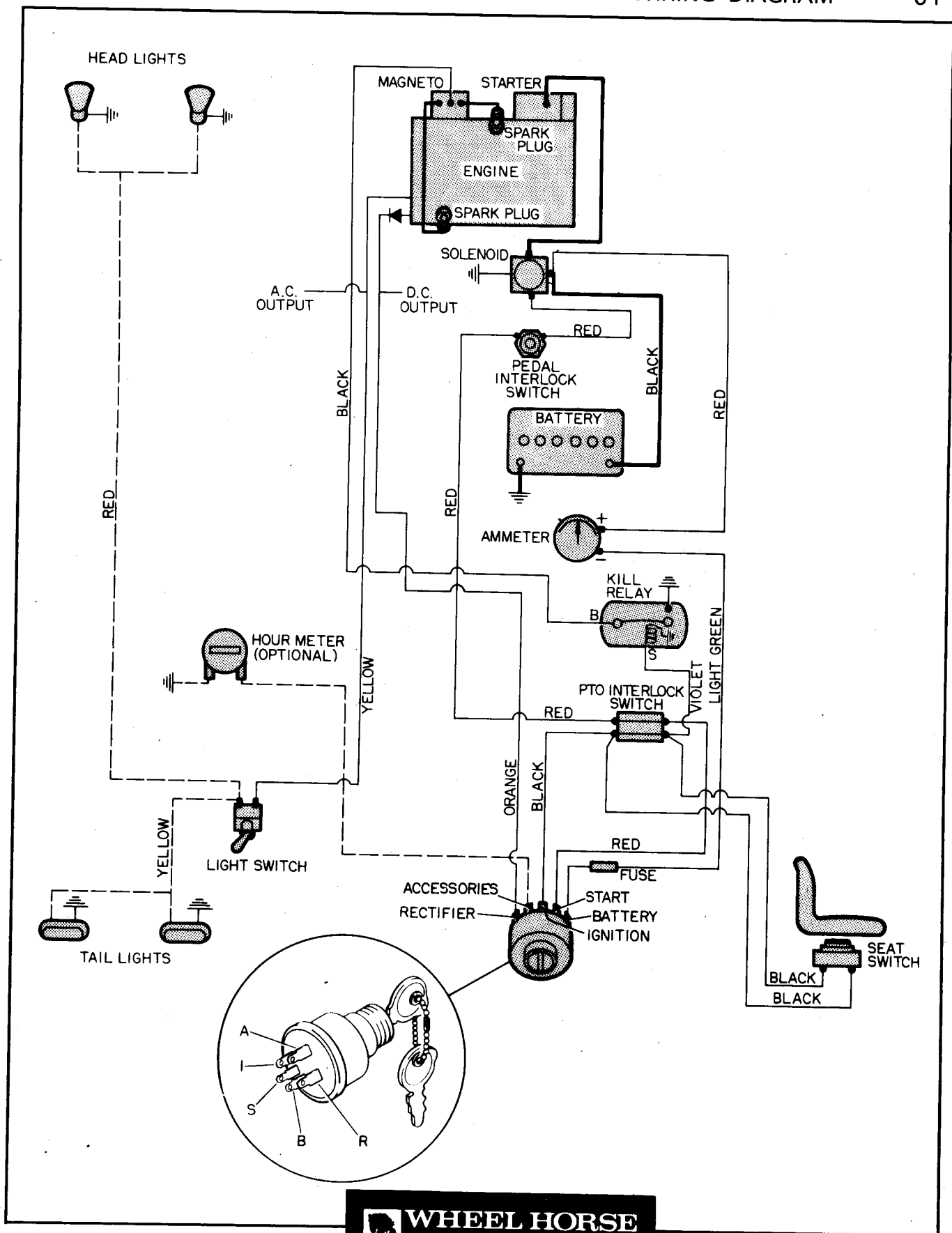


| Item                          | Part Number | Description  | Automatic |     |
|-------------------------------|-------------|--|-----------|-----|
|                               |             |  | 8-Speed   |     |
| <b>Figure 15-2<br/>DECALS</b> |             |  |           |     |
| 1                             | 106591      | Decal LH C-81 8-Speed .....                                    | XXX       |     |
| 1                             | 106593      | Decal LH C-101 8-Speed .....                                   | XXX       |     |
| 1                             | 106595      | Decal LH C-121 8-Speed .....                                   | XXX       |     |
| 1                             | 106597      | Decal LH C-141 8-Speed .....                                   | XXX       |     |
| 1                             | 106599      | Decal LH C-161 8-Speed .....                                   | XXX       |     |
| 1                             | 106731      | Decal LH C-161 Twin 8-Speed .....                              | XXX       |     |
| 1                             | 106605      | Decal LH C-121 Automatic .....                                 |           | XXX |
| 1                             | 106607      | Decal LH C-141 Automatic .....                                 |           | XXX |
| 1                             | 106609      | Decal LH C-161 Automatic .....                                 |           | XXX |
| 1                             | 106733      | Decal LH C-161 Twin Automatic .....                            |           | XXX |
| 2                             | 106592      | Decal RH C-81 8-Speed .....                                    | XXX       |     |
| 2                             | 106594      | Decal RH C-101 8-Speed .....                                   | XXX       |     |
| 2                             | 106596      | Decal RH C-121 8-Speed .....                                   | XXX       |     |
| 2                             | 106598      | Decal RH C-141 8-Speed .....                                   | XXX       |     |
| 2                             | 106600      | Decal RH C-161 8-Speed .....                                   | XXX       |     |
| 2                             | 106730      | Decal RH C-161 Twin 8-Speed .....                              | XXX       |     |
| 2                             | 106606      | Decal RH C-121 Automatic .....                                 |           | XXX |
| 2                             | 106608      | Decal RH C-141 Automatic .....                                 |           | XXX |
| 2                             | 106610      | Decal RH C-161 Automatic .....                                 |           | XXX |
| 2                             | 106732      | Decal RH C-161 Twin Automatic .....                            |           | XXX |
| 3                             | 106601      | Decal-Rear .....   | 1         | 1   |
| 4                             | 106722      | Decal-Tach-A-Matic .....                                       | 2         | 2   |
| 5                             | 106603      | Decal-Parking Brake .....                                      | 1         | 1   |
| 6                             | 106712      | Decal-Caution .....  | 1         | 1   |
| 7                             | 106738      | Decal-HI Low Shift .....                                       | 1         |     |
| 8                             | 106737      | Decal-4 Speed Shift .....                                      | 1         |     |
| 9                             | 104995      | Decal-Uni Drive .....  | 1         |     |
| 10                            | 106723      | Decal-Control Housing .....                                    | 1         |     |
| 11                            | 106604      | Decal-Transmission Clutch .....                                |           | 1   |
| 12                            | 106724      | Decal-Control Housing C-121 Only .....                         |           | 1   |
| 13                            | 106727      | Decal-Maintenance .....  |           | 1   |
| 14                            | 106602      | Decal-Push Valve .....   |           | 1   |
| 15                            | 106725      | Decal-Parking Brake & Lift C-161, C-141, C-161 Twin Only ..... |           | 1   |
| 16                            | 106726      | Decal-Control Housing C-161, C-141, C-161 Twin Only .....      |           | 1   |
| 17                            | 106266      | Decal-Height Control C-161, C-141, C-161 Twin Only .....       |           | 1   |
| 18                            | 803230      | Loose Parts Package C-81 Only .....                            | XXX       |     |
| 18                            | 803231      | Loose Parts Package C-121, C-101 Only .....                    | XXX       | XXX |
| 18                            | 803232      | Loose Parts Package C-161, C-141 Only .....                    | XXX       | XXX |
| 18                            | 803233      | Loose Parts Package C-161 Twin Only .....                      | XXX       | XXX |
| 19                            | 810001R1    | Tractors Owner Manual .....                                    | XXX       | XXX |
| 20                            | 810060      | Supplement-Tractor Owner's Manual C-161 Twin Only .....        | XXX       | XXX |
| 21                            | 251053      | Decal-Wheel Horse Logo C-161 Twin Only .....                   | XXX       | XXX |



C-161, C-141, C-121, C-101, C-81

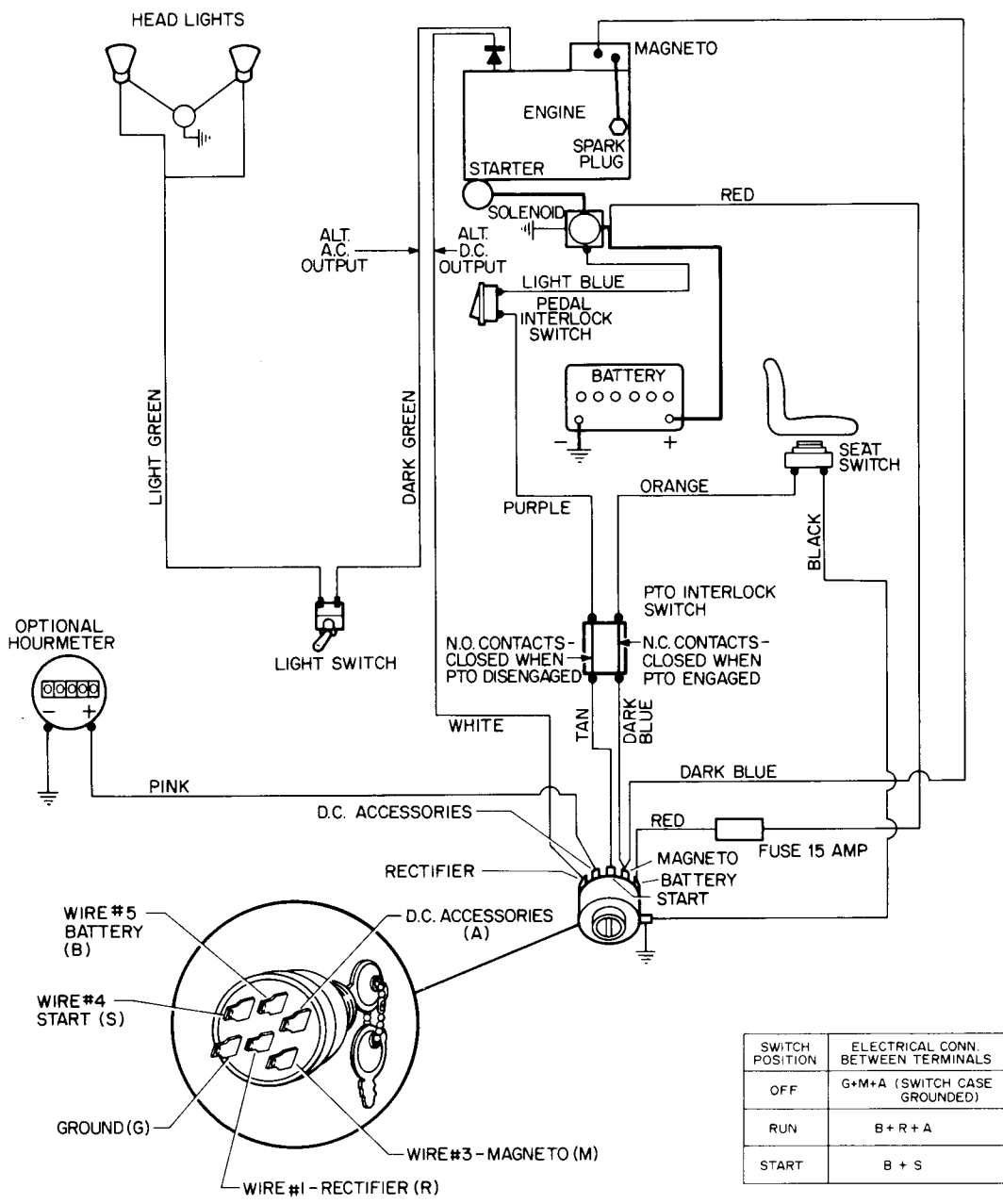




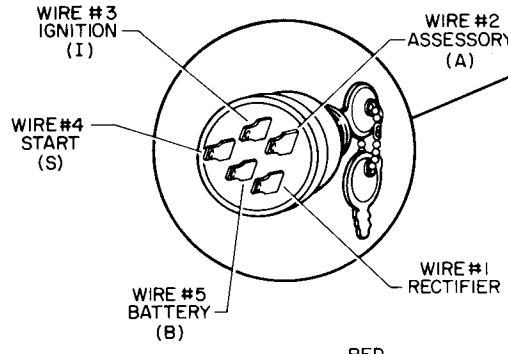
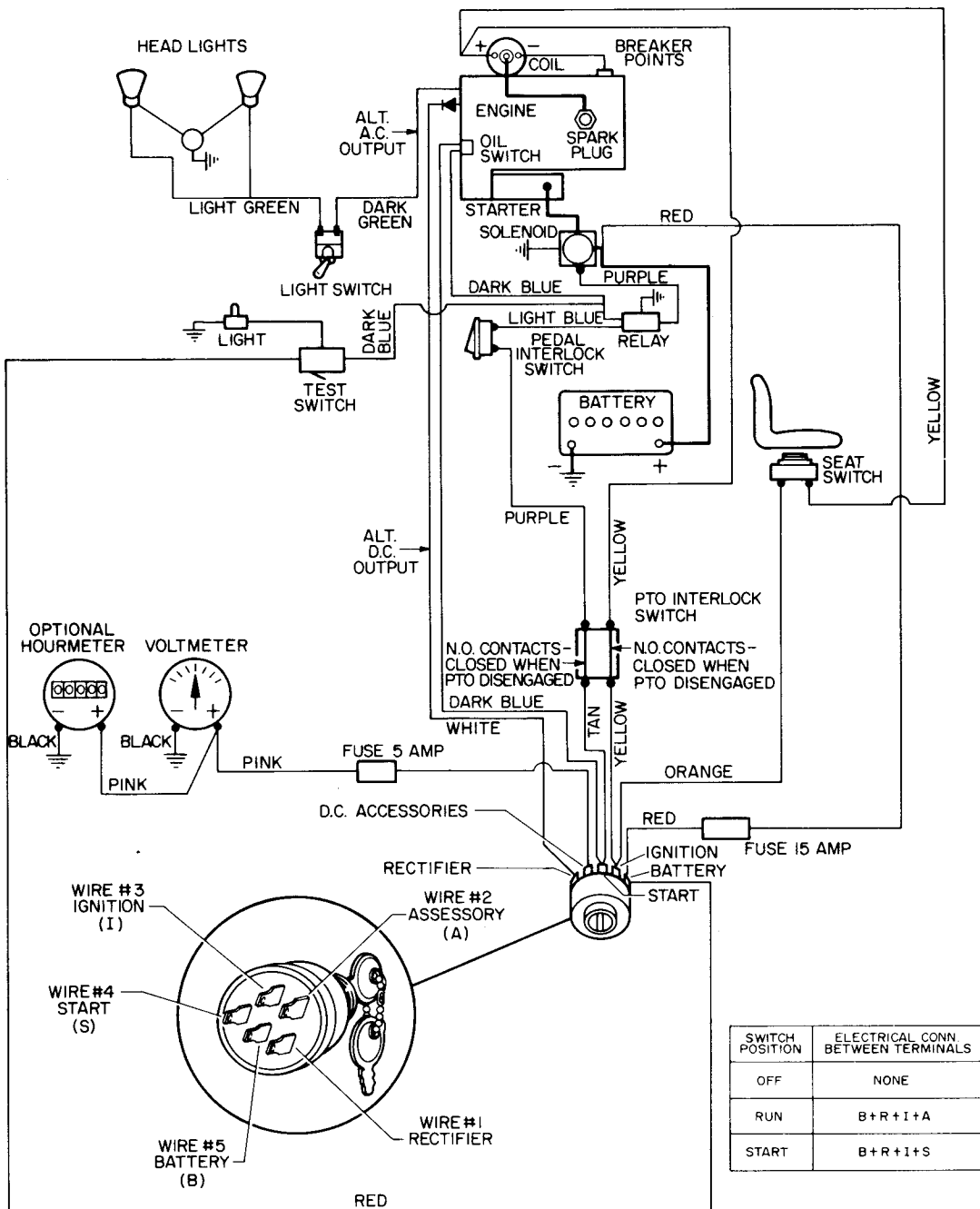
C-161 Twin

| Part No. | Fig. No. | Part No. | Fig. No. | Part No. | Fig. No. | Part No. | Fig. No. |
|----------|----------|----------|----------|----------|----------|----------|----------|
| 1004     | 13-1     | 5210     | 5-1      | 7205     | 3-1      | 9170     | 6-2      |
| 1014     | 6-1      | 5210     | 13-1     | 7206     | 3-1      | 9416     | 4-1      |
| 1030     | 5-1      | 5224     | 9-2      | 7207     | 3-1      | 9416     | 3-1      |
| 1030     | 13-1     | 5280     | 7-2      | 7208     | 3-1      | 9475     | 6-3      |
| 1085     | 6-1      | 5433     | 13-1     | 7209     | 3-2      | 9547     | 4-1      |
| 1085     | 5-1      | 5434     | 13-1     | 7213     | 3-2      | 9547     | 3-2      |
| 1085     | 6-3      | 5442     | 8-1      | 7214     | 3-2      | 9593     | 6-1      |
| 1121     | 7-2      | 5466     | 8-1      | 7223     | 11-3     | 9593     | 6-3      |
| 1230     | 6-2      | 5467     | 8-1      | 7226     | 11-3     | 9598     | 6-1      |
| 1239     | 3-2      | 5468     | 8-1      | 7227     | 11-3     | 9699     | 8-1      |
| 1243     | 3-1      | 5469     | 8-1      | 7228     | 11-3     | 9792     | 13-1     |
| 1278     | 6-1      | 5512     | 13-1     | 7229     | 11-3     | 9840     | 3-1      |
| 1278     | 5-1      | 5522     | 8-1      | 7262     | 11-2     | 100441   | 3-1      |
| 1278     | 12-1     | 5614     | 3-1      | 7262     | 11-1     | 100442   | 3-1      |
| 1278     | 13-1     | 5615     | 3-1      | 7269     | 3-1      | 100443   | 3-1      |
| 1481     | 5-1      | 5616     | 3-1      | 7416     | 8-1      | 100452   | 10-1     |
| 1504     | 3-1      | 5618     | 5-1      | 7418     | 3-1      | 100489   | 6-2      |
| 1516     | 3-1      | 5638     | 5-1      | 7434     | 6-2      | 100571   | 12-1     |
| 1518     | 3-1      | 5666     | 14-2     | 7443     | 14-1     | 100571   | 11-3     |
| 1523     | 3-1      | 5667     | 8-1      | 7451     | 6-1      | 100571   | 11-2     |
| 1529     | 3-1      | 5701     | 6-2      | 7456     | 8-3      | 100571   | 11-1     |
| 1531     | 3-1      | 5701     | 7-2      | 7466     | 14-1     | 100646   | 8-1      |
| 1532     | 4-1      | 5816     | 7-1      | 7473     | 14-1     | 100656   | 6-2      |
| 1532     | 3-1      | 5924     | 11-2     | 7478     | 14-1     | 100729   | 10-1     |
| 1533     | 4-1      | 5924     | 11-1     | 7599     | 6-2      | 100884   | 11-2     |
| 1533     | 3-1      | 5965     | 4-1      | 7600     | 6-2      | 101017   | 7-1      |
| 1542     | 3-1      | 5983     | 14-2     | 7601     | 6-2      | 101161   | 6-1      |
| 1644     | 7-1      | 5991     | 4-1      | 7602     | 6-2      | 101161   | 14-2     |
| 1813     | 7-1      | 5993     | 4-2      | 7603     | 6-2      | 101338   | 11-2     |
| 2844     | 6-1      | 5995     | 4-2      | 7607     | 13-1     | 101338   | 11-1     |
| 3023     | 11-3     | 5996     | 4-2      | 7618     | 11-3     | 101442   | 5-1      |
| 3023     | 11-1     | 5998     | 4-2      | 7721     | 8-1      | 101450   | 11-1     |
| 3503     | 3-1      | 5999     | 4-1      | 7752     | 4-3      | 101476   | 11-1     |
| 3517     | 3-2      | 6127     | 6-2      | 7877     | 4-3      | 101536   | 12-1     |
| 3527     | 3-1      | 6129     | 6-2      | 7879     | 6-2      | 101623   | 4-1      |
| 3577     | 3-2      | 6216     | 5-1      | 7879     | 6-1      | 101623   | 3-2      |
| 3624     | 7-2      | 6229     | 7-2      | 7896     | 6-1      | 101625   | 3-2      |
| 3660     | 11-2     | 6254     | 6-3      | 7898     | 5-1      | 101626   | 3-2      |
| 3660     | 11-1     | 6396     | 5-1      | 8043     | 11-3     | 101639   | 11-3     |
| 3765     | 6-1      | 6397     | 5-1      | 8049     | 4-1      | 101639   | 11-2     |
| 3765     | 14-2     | 6449     | 4-1      | 8107     | 11-2     | 101699   | 12-1     |
| 3909     | 3-1      | 6469     | 5-1      | 8107     | 11-1     | 101707   | 7-1      |
| 3912     | 3-1      | 6472     | 5-1      | 8130     | 7-2      | 101710   | 8-1      |
| 3915     | 4-1      | 6542     | 7-2      | 8163     | 3-1      | 101711   | 7-1      |
| 3915     | 3-1      | 6619     | 12-1     | 8519     | 11-3     | 101732   | 8-1      |
| 3993     | 11-2     | 6632     | 4-3      | 8616     | 7-1      | 101733   | 8-1      |
| 4064     | 12-1     | 6658     | 14-2     | 8658     | 11-2     | 101750   | 7-1      |
| 4064     | 6-3      | 6659     | 14-2     | 8658     | 11-1     | 101751   | 7-1      |
| 4204     | 3-1      | 6663     | 14-2     | 8693     | 6-2      | 101834   | 10-1     |
| 4432     | 11-2     | 6739     | 7-2      | 8722     | 6-2      | 101835   | 10-1     |
| 4432     | 11-1     | 6820     | 6-1      | 8786     | 11-2     | 101837   | 10-1     |
| 4944     | 7-2      | 6935     | 14-2     | 8786     | 11-1     | 101841   | 8-1      |
| 4999     | 13-1     | 6941     | 3-1      | 8830     | 11-2     | 101846   | 11-3     |
| 5108     | 13-1     | 6949     | 6-3      | 8830     | 11-1     | 101850   | 8-1      |
| 5173     | 3-1      | 7007     | 13-1     | 8830     | 10-1     | 101875   | 14-1     |
| 5174     | 3-1      | 7201     | 3-1      | 9038     | 14-2     | 101884   | 11-1     |
| 5175     | 3-1      | 7204     | 3-1      | 9111     | 6-1      | 101885   | 4-1      |

# WIRING DIAGRAM — 308 MODEL



# WIRING DIAGRAM – 310 MODEL



| SWITCH POSITION | ELECTRICAL CONN BETWEEN TERMINALS |
|-----------------|-----------------------------------|
| OFF             | NONE                              |
| RUN             | B+R+I+A                           |
| START           | B+R+I+S                           |



# WIRING DIAGRAM — 312, 414 MODELS

